

application

- The LED Large Low Profile Wall Pack offers reliable performance with a wide range of uses. It delivers the lighting needed for the exteriors of retail buildings, businesses, walkways, underpasses or entrance doors.

construction/finish

- Heavy duty two piece, die cast aluminum housing.
- Silicone gasketing provides protection against moisture.
- Mounts directly to 3-1/2" octagon or 4" square outlet box.
- 1/2" NPS tapped holes provided in three locations for surface conduit entry or optional photo control.
- Polyester powder finish for impact, corrosion and UV resistance.
- Clear prismatic borosilicate glass refractor is thermal and shock resistant.
- Integral cast-in aluminum hinges permit complete removal of lens frame assembly without tools.
- Components are RoHS compliant.
- LED light engine and driver are field replaceable.

electrical

- Certified to meet UL 1598 standards for wet location, 25°C ambient, and feed-through wiring.

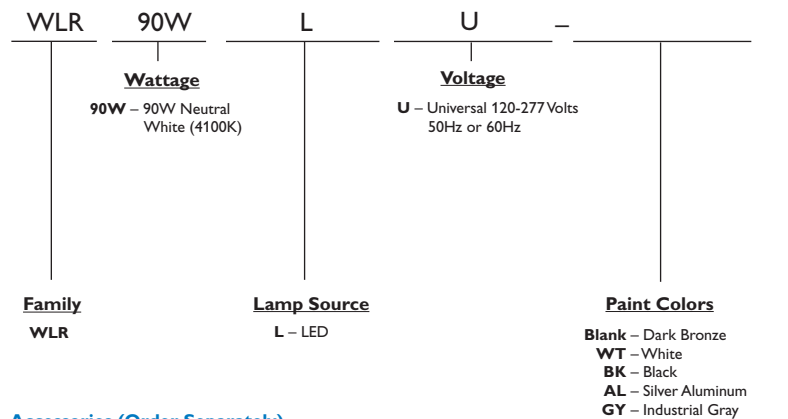
warranty

- 5 Year Limited Warranty.

Specifier's Reference

Project
Type
Model No.
Comments

Green Choice: WLR90WLU



(Consult factory for other colors)

Accessories (Order Separately)

- WGWLR** – Wire Guard
 - VCWLR** – Cutoff Visor
 - VSWLR** – Vandal Shield
 - PEC-MT** – Photo Control multi-volt
 - PEC-48** – Photo Control 480 volt
- (For additional descriptions of Wall Light accessories refer to sheet number OA-50030.1)

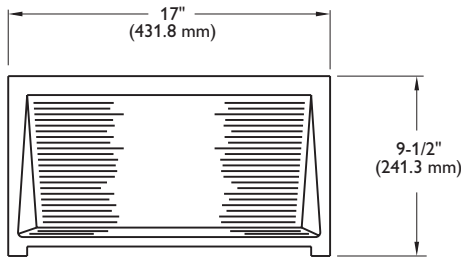
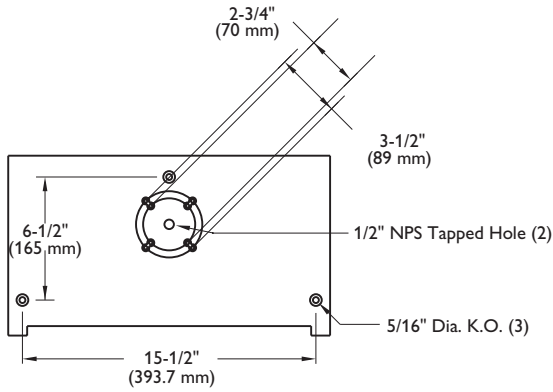
General Notes:

All options are factory installed.
 All accessories are field installed.
 Data subject to change without notice.

Predicted L₇₀ Lifetime:

25°C Ambient-50,000 hours (based upon LED manufacturer's supplied LM-80 data and in-situ laboratory testing).

dimensions



Weight 30 lbs. (max.)

photometry

Light Level Multiplying Factors

Mounting Height	Multiplier
40'	0.39
35'	0.51
30'	0.69
25'	1.00
20'	1.56
15'	2.77

Catalog No.	WLR90WLU	<p>Units shown in terms of mounting height Initial Footcandles Shown</p>
Test No.	29493	
Lamp Type	LED	
Wattage	98	
Lumens	5265	
Tilt Angle	0°	
Mounting Height	25 Feet	



©2011 Philips Day-Brite
 All rights reserved.
 776 South Green Street • Tupelo, MS 38804
 p. 800.234.1890 • f. 662.841.5501 • www.daybrite.com
 Canadian Division
 189 Bullock Drive • Markham, Ontario L3P 1W4
 p. 905.294.9570 • f. 905.294.9811

Contact Factory for Additional Configurations.
 Specifications are subject to change without notice.
 Consult website for latest version of this spec sheet.



Some luminaires use fluorescent or high intensity discharge (HID) lamps that contain small amounts of mercury. Such lamps are labeled, "Contain Mercury" and/or the symbol "HG". Lamps that contain mercury must be disposed of in accordance with local requirements. Information regarding lamp recycling and disposal can be found at www.lamprecycle.org