

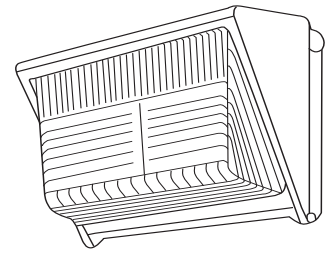
NITE BRITES

JOB NAME _____

TYPE _____

WLP-MEDIUM GLASS LOW PROFILE WALL PACK

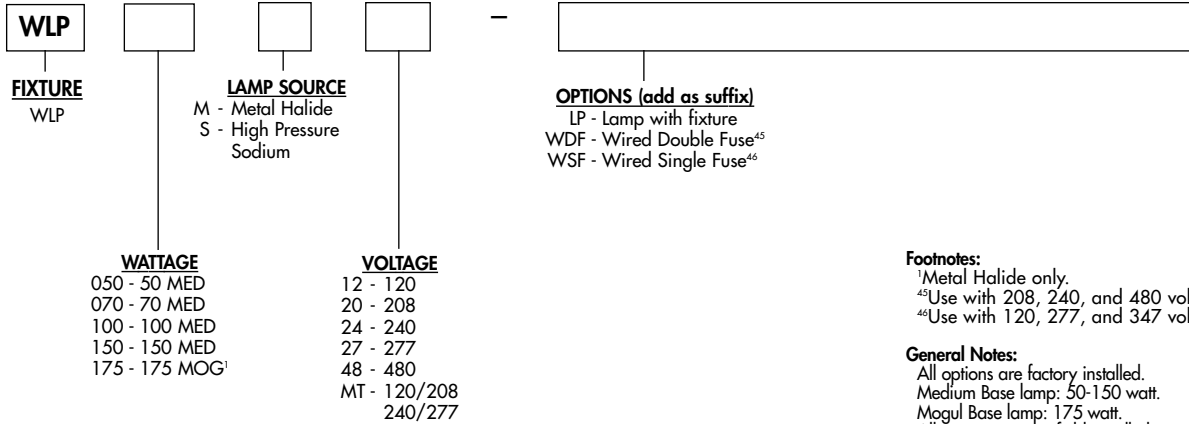
50-175 watt Metal Halide
50-150 watt High Pressure Sodium



The WLP with its low profile, compact design is excellent for security, accent and perimeter lighting in areas such as building facades, entrance ways, garage doors, indoor parking garages, tunnels, overpasses, and alleys.

ORDERING MATRIX

SAMPLE CATALOG NUMBER: WLP175MMT-LP



Footnotes:

- ¹Metal Halide only.
- ⁴⁵Use with 208, 240, and 480 volt.
- ⁴⁶Use with 120, 277, and 347 volt.

General Notes:

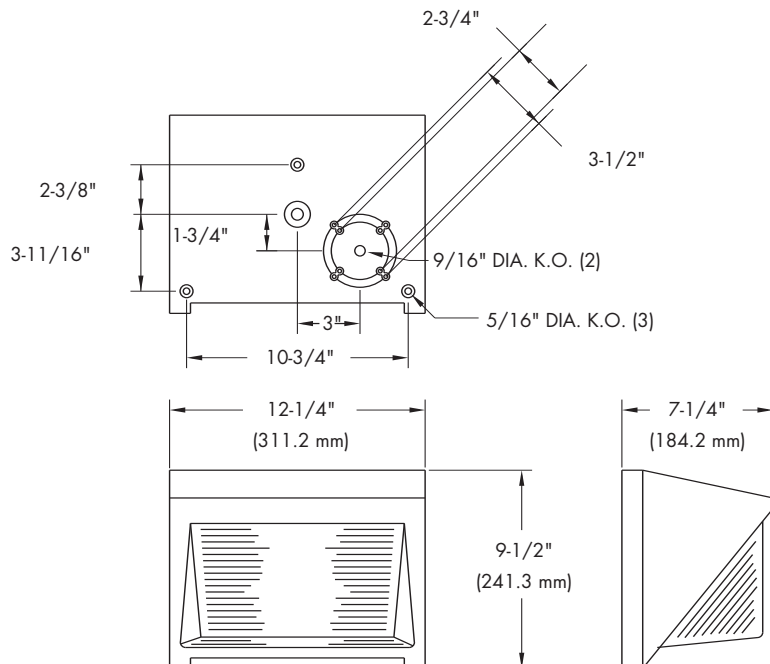
- All options are factory installed.
- Medium Base lamp: 50-150 watt.
- Mogul Base lamp: 175 watt.
- All accessories are field installed.

Warning: Refer to and follow the lamp manufacturer's warnings and instructions.

ACCESSORIES (order separately)

- WGWLP - Wire Guard
 - VCWLP - Cutoff Visor
 - VSWLP - Vandal Shield
 - RDA-WLP - Replacement Door Assembly
 - PEC-MT - Photo Control multi-volt
 - PEC-48 - Photo Control 480 volt
- (For additional descriptions of Wall Light accessories refer to sheet number OA-50030.1)

DIMENSIONS



ENERGY DATA

HIGH PRESSURE SODIUM

HX-HPF BALLAST INPUT WATTS
50 watt-66 watts
70 watt-91 watts
100 watt-130 watts
150 watt-188 watts

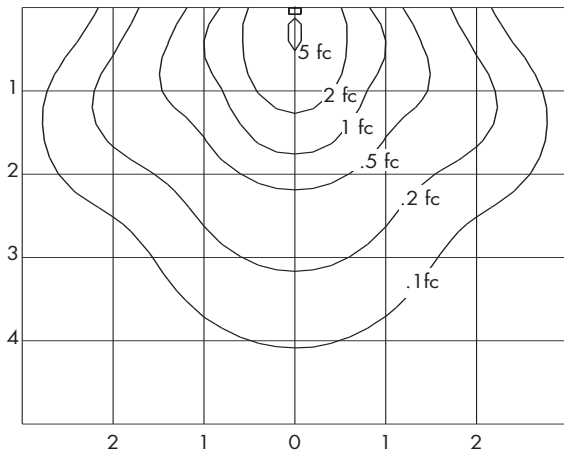
METAL HALIDE

HX-HPF BALLAST INPUT WATTS
50 watt-72 watts
70 watt-90 watts
100 watt-129 watts
150 watt-189 watts
CWA BALLAST INPUT WATTS
175 watt-210 watts

WEIGHT = 23 lbs. (max.)

WL-43040.1

PHOTOMETRICS



UNITS SHOWN IN TERMS OF MOUNTING HEIGHT
INITIAL FOOTCANDLES SHOWN

CATALOG NUMBER: WLP175M
 TEST NUMBER: WLP175M
 LAMP: METAL HALIDE
 WATTAGE: 175
 LUMENS: 14,000
 TILT ANGLE: 0°
 MOUNTING HEIGHT: 15 FEET

LIGHT LEVEL MULTIPLYING FACTORS	
MOUNTING HEIGHT	MULTIPLIER
25'	0.36
20'	0.56
15'	1.00
12'	1.56
10'	2.25
8'	3.52

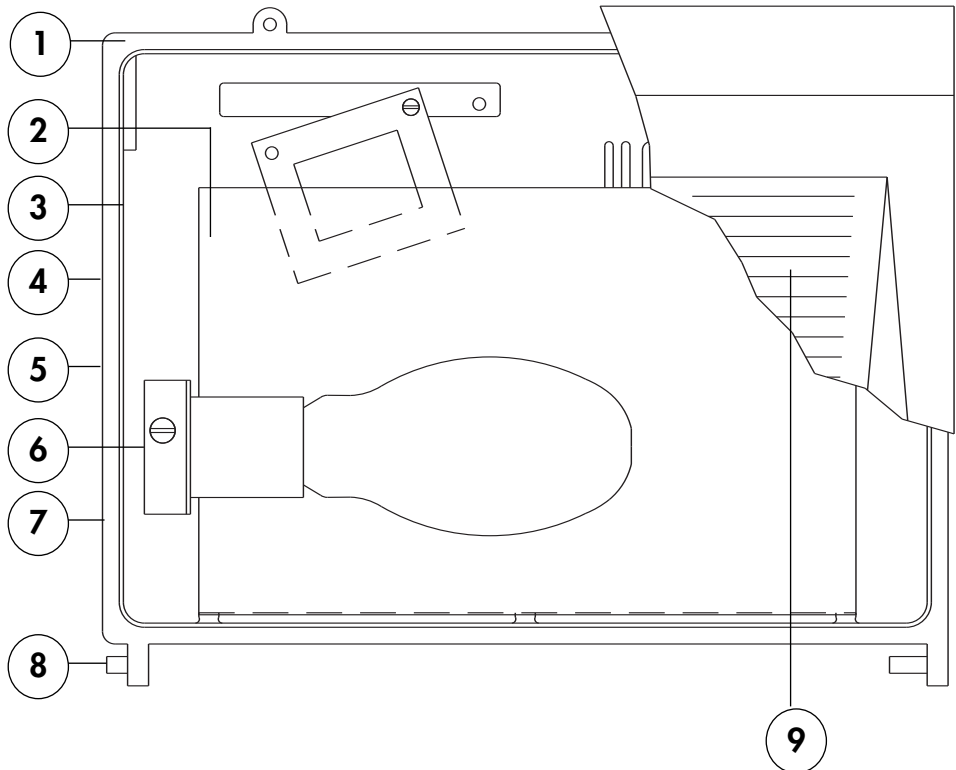
ADDITIONAL TEST NUMBERS

DESCRIPTION/CATALOG NUMBER	TEST NUMBER
WLP150S	WLP150S
WLP100S	WLP100S
WLP070S	WLP070S

PRODUCT FEATURES

UL 1598 Listed wet location, 25°C ambient, and feed-through wiring for all lamp wattages listed.

1. Heavy duty two piece, die cast aluminum housing.
2. Specular anodized aluminum reflector.
3. Silicone gasketing provides protection against moisture.
4. Mounts directly to 3-1/2" octagon or 4" square outlet box.
5. 1/2" NPS tapped holes provided in three locations for surface conduit entry or optional photo control.
6. Field adjustment bracket permits simple adjustment of beam angle.
7. Dark bronze polyester powder finish for impact, corrosion and UV resistance.
8. Integral cast-in aluminum hinges permit complete removal of lens frame assembly without tools.
9. Clear prismatic borosilicate glass refractor is thermal and shock resistant.



Visit our web site at www.daybritelighting.com

776 South Green Street Tupelo, MS 38804 Phone: 662-842-7212 Fax: 662-841-5501

189 Bullock Drive Markham, Ontario Canada L3P 1W4 Phone: 905-294-9570 Fax: 905-294-8911

Day-Brite Lighting reserves the right to make changes without notice. ©February 2005. DL.5M0205

Day-Brite Lighting is a Genlyte Thomas Group.

WL-43040.1

 **Day-Brite® Lighting**