

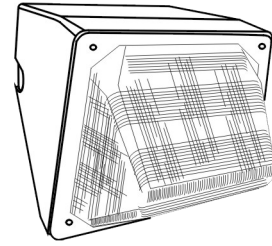
# NITE BRITES

JOB NAME \_\_\_\_\_

TYPE \_\_\_\_\_

## WLT-SMALL GLASS LOW PROFILE WALL PACK

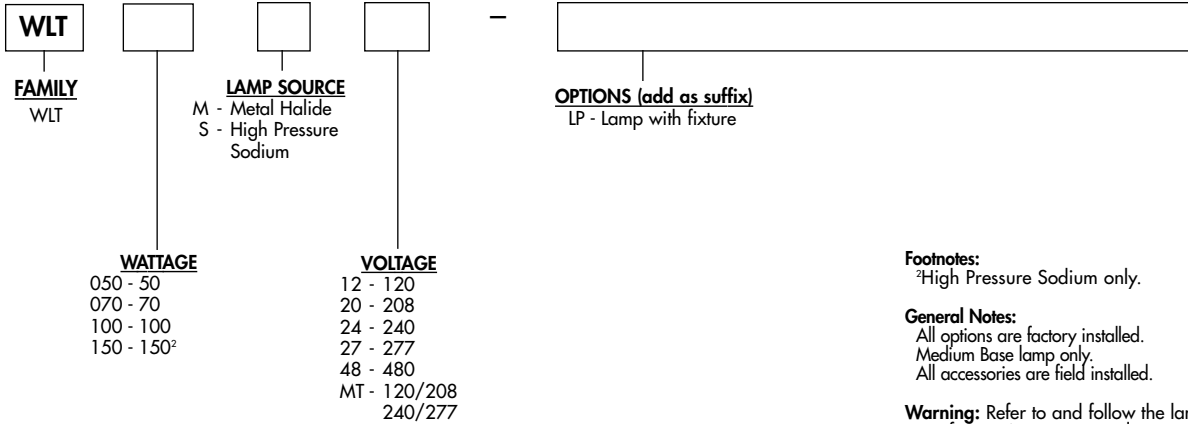
50-100 watt Metal Halide  
50-150 watt High Pressure Sodium



The WLT with its low profile, compact design is excellent for security, accent and perimeter lighting in areas such as building facades, entrance ways, garage doors, indoor parking garages, tunnels, overpasses, and alleys.

### ORDERING MATRIX

SAMPLE CATALOG NUMBER: WLT100MMT-LP



**Footnotes:**  
<sup>2</sup>High Pressure Sodium only.

**General Notes:**  
All options are factory installed.  
Medium Base lamp only.  
All accessories are field installed.

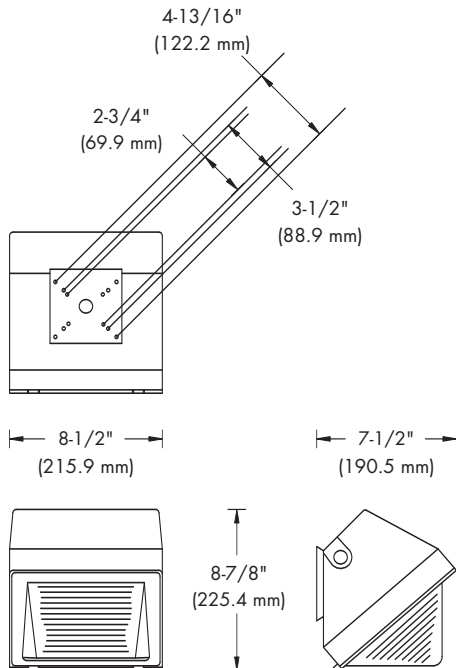
**Warning:** Refer to and follow the lamp manufacturer's warnings and instructions.

### ACCESSORIES (order separately)

- GSWLT - Glare Shield
- WGWLT - Wire Guard
- VSWLT - Vandal Shield
- RDA-WLT - Replacement Door Assembly
- PEC-MT - Photo Control multi-volt
- PEC-48 - Photo Control 480 volt

(For additional descriptions of Wall Light accessories refer to sheet number OA-50030.)

### DIMENSIONS



### ENERGY DATA

#### HIGH PRESSURE SODIUM

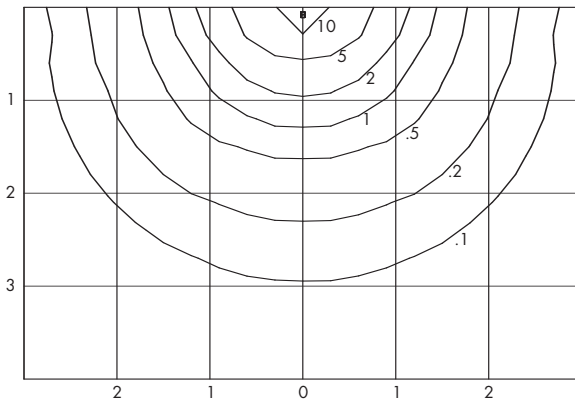
HX-HPF BALLAST INPUT WATTS
50 watt-66 watts
70 watt-91 watts
100 watt-130 watts
150 watt-188 watts

#### METAL HALIDE

HX-HPF BALLAST INPUT WATTS
50 watt-72 watts
70 watt-90 watts
100 watt-129 watts

WEIGHT = 11 lbs. (max.)

## PHOTOMETRICS



UNITS SHOWN IN TERMS OF MOUNTING HEIGHT  
INITIAL FOOTCANDLES SHOWN

CATALOG NUMBER: WLT100M  
 TEST NUMBER: 25123  
 LAMP: METAL HALIDE  
 WATTAGE: 100  
 LUMENS: 8,500  
 TILT ANGLE: 0°  
 MOUNTING HEIGHT: 10 FEET

LIGHT LEVEL MULTIPLYING FACTORS	
MOUNTING HEIGHT	MULTIPLIER
20'	0.25
15'	0.44
12'	0.69
10'	1.00
8'	1.56

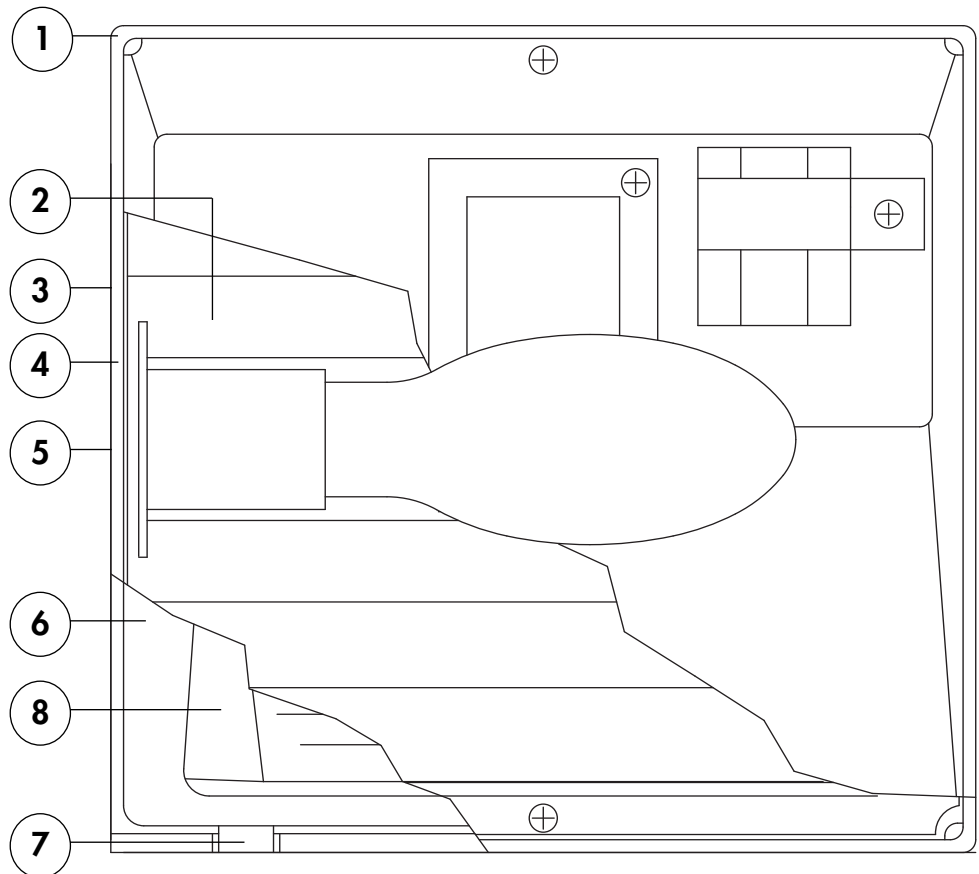
### ADDITIONAL TEST NUMBERS

DESCRIPTION/CATALOG NUMBER	TEST NUMBER
WLT050S	25125P
WLT070S	251252
WLT100S	25126P
WLT150S	25126
WLT050M	25124
WLT070M	25123P

## PRODUCT FEATURES

UL 1598 Listed wet location, 25°C ambient, and feed-through wiring for all lamp wattages listed.

1. Heavy duty two piece, die cast aluminum housing.
2. Specular anodized aluminum reflector.
3. Silicone gasketing provides protection against moisture.
4. Mounts directly to 3-1/2" octagon or 4" square outlet box.
5. 1/2" NPS tapped holes provided in three locations for surface conduit entry or optional photo control.
6. Dark bronze polyester powder finish for impact, corrosion and UV resistance.
7. Integral cast-in aluminum hinges permit complete removal of lens frame assembly without tools.
8. Clear prismatic borosilicate glass refractor is thermal and shock resistant.



Visit our web site at [www.daybritelighting.com](http://www.daybritelighting.com)

776 South Green Street Tupelo, MS 38804 Phone: 662-842-7212 Fax: 662-841-5501

**WL-43045**

189 Bullock Drive Markham, Ontario Canada L3P 1W4 Phone: 905-294-9570 Fax: 905-294-8911

Day-Brite Lighting reserves the right to make changes without notice. ©March 2005. DB500.0305

Day-Brite Lighting is a Genlyte Company.

 **Day-Brite® Lighting**