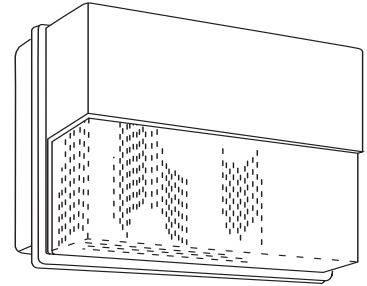


WLA-DIRECTOLITE WALL LIGHT

70-250 watt Metal Halide
70-250 watt High Pressure Sodium
150-250 watt Pulse Start Metal Halide



JOB NAME _____

TYPE _____

The Directolite has calibrated, adjustable cutoff for optimum light distribution and brightness control. The optical system in the Directolite has been designed with a field adjustable cutoff reflector.

ORDERING MATRIX

SAMPLE CATALOG NUMBER: WLA250MMT-PCR

WLA					
FIXTURE WLA		LAMP SOURCE M - Metal Halide S - High Pressure Sodium P - Pulse Start Metal Halide (Ballast option must be specified)			OPTIONS (add as suffix) CUL - UL Listing to meet CSA standards HR - Hot Restrike ³⁴ LP - Lamp with fixture PCR - Photo Control Receptacle ¹³ PE - Photo Control (not available in 480V) PSC - Pulse Start CWA Ballast PSR - Pulse Start Reactor Ballast ^{55, 84} Q - Quartz Standby QTD - Quartz Time Delay QEM - Quartz Emergency ⁴⁰ WDF - Wired Double Fuse ⁴⁵ WSF - Wired Single Fuse ⁴⁶
	WATTAGE		VOLTAGE		
	070 - 70		12 - 120		
	100 - 100		20 - 208		
	150 - 150		24 - 240		
	175 - 175 ^{1, 33}		27 - 277		
	200 - 200 ³¹		34 - 347		
	250 - 250		48 - 480 ³²		
			MT - 120/208 240/277		

Footnotes:
¹Metal Halide only.
¹³Order twist lock photo control separately.
³¹Not available in standard Metal Halide.
³²Not available in 70 watt Metal Halide.
³³Not available in Pulse Start Metal Halide.
³⁴Available in 150W High Pressure Sodium and below.
⁴⁰Requires 120 volt secondary power supply.
⁴⁵Use with 208, 240 and 480 volt.
⁴⁶Use with 120, 277 and 347 volt.
⁵⁵Not available in 175 watt.
⁸⁴277 volt only.

ACCESSORIES (order separately)

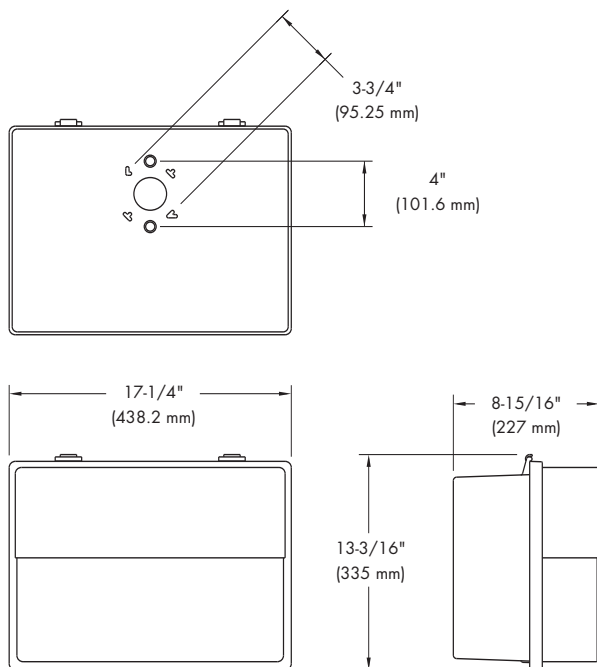
- DFD - Double Fuse Holder only
- FSF - Single Fuse Holder only
- VCWLA - Cutoff Visor
- PC-MT - Photo Control Twist Lock multi-volt
- PC-48 - Photo Control Twist Lock 480 volt
- PCR-SC - PCR Shorting Cap
- WLS-PEC12 - Photo Control 120 volt
- WLS-PEC27 - Photo Control 208-277 volt
- 9PMK - Pole mounting kit
- TP - Tamper Proof

(For additional descriptions of Wall Light accessories refer to sheet number OA-50030.1)

General Notes:
All options factory installed.
Mogul Base lamp only.
All accessories are field installed.

Warning: Refer to and follow lamp manufacturer's warnings and instructions.

DIMENSIONS



ENERGY DATA

HIGH PRESSURE SODIUM

HX-HPF BALLAST INPUT WATTS

70 watt-91 watts
100 watt-130 watts
150 watt-188 watts

CWA BALLAST INPUT WATTS

200 watt-240 watts
250 watt-295 watts

METAL HALIDE

HX-HPF BALLAST INPUT WATTS

70 watt-90 watts
100 watt-129 watts
150 watt-189 watts

CWA BALLAST INPUT WATTS

175 watt-210 watts
250 watt-285 watts

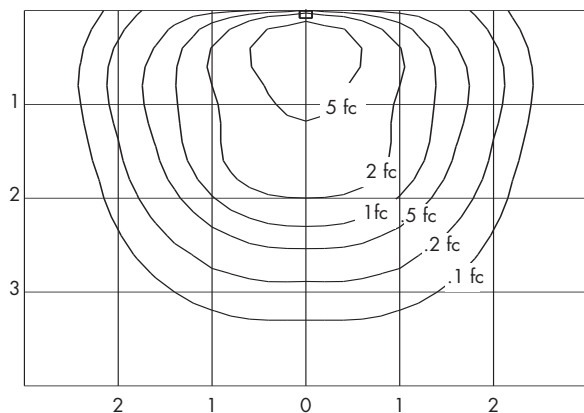
PULSE START METAL HALIDE

CWA BALLAST INPUT WATTS

150 watt-189 watts
200 watt-232 watts
250 watt-288 watts
175 watt-210 watts
250 watt-285 watts

WEIGHT = 24 lbs. (max.)

PHOTOMETRICS



UNITS SHOWN IN TERMS OF MOUNTING HEIGHT
INITIAL FOOTCANDLES SHOWN

CATALOG NUMBER: WLA175M (78° CUTOFF)
 TEST NUMBER: WLA17M78
 LAMP: METAL HALIDE
 WATTAGE: 175
 LUMENS: 14,000
 TILT ANGLE: 0°
 MOUNTING HEIGHT: 15 FEET

LIGHT LEVEL MULTIPLYING FACTORS	
MOUNTING HEIGHT	MULTIPLIER
25'	0.36
20'	0.56
15'	1.00
12'	1.56
10'	2.25
8'	3.52

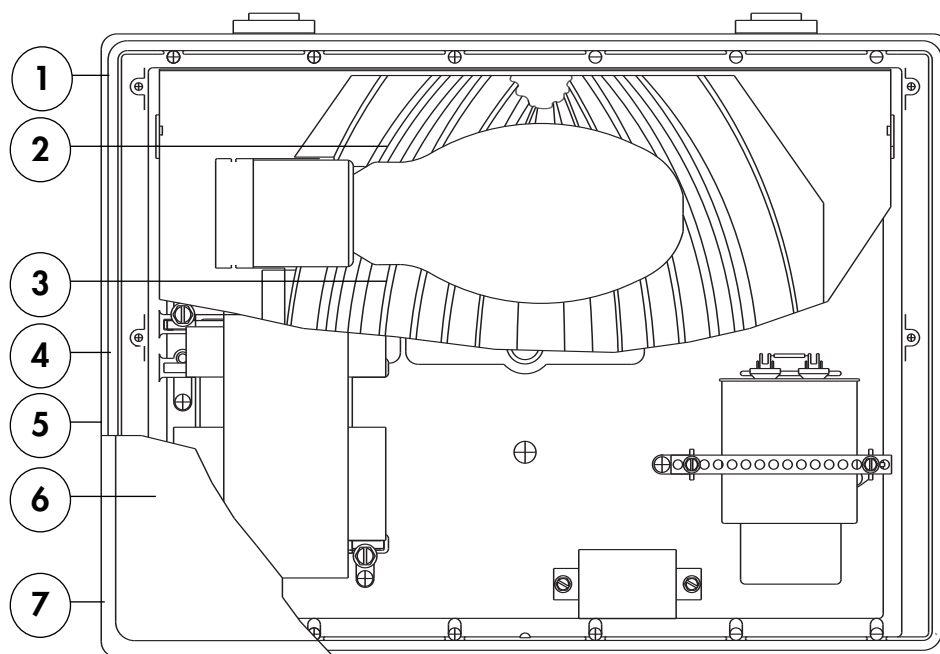
ADDITIONAL TEST NUMBERS

DESCRIPTION/CATALOG NUMBER	TEST NUMBER
WLA175M (86° CUTOFF)	WLA17M86
WLA175M (72° CUTOFF)	WLA17M72
WLA150S (86° CUTOFF)	WLA15S86
WLA150S (78° CUTOFF)	WLA15S78
WLA150S (72° CUTOFF)	WLA15S72

PRODUCT FEATURES

UL 1598 Listed wet location and 25°C ambient for all lamp wattages listed.

1. Vandal resistant construction with rugged one piece cast aluminum housing.
2. Polished specular Alzak 16-facet distributing reflector, engineered for extra wide lateral spread, in tandem with polished specular cutoff collecting reflector.
3. Adjustable cutoff, in continuous range calibrated from 72° to 86°, providing brightness control on the transversal plane, and variable spacing to mounting height ratio on the lateral. It can be adjusted before or after installation.
4. Mounts directly to outlet box or 4" square pole (optional pole mounting kit).
5. Fully gasketed and weatherproof.
6. One piece polycarbonate front enclosure with low brightness diffusing prisms.
7. Dark bronze polyester powder finish for excellent impact and corrosion resistance.



Visit our web site at www.daybritelighting.com

776 South Green Street Tupelo, MS 38804 Phone: 662-842-7212 Fax: 662-841-5501

WL-43060.1

189 Bullock Drive Markham, Ontario Canada L3P 1W4 Phone: 905-294-9570 Fax: 905-294-8911
 Day-Brite Lighting reserves the right to make changes without notice. ©February 2005. DL.5M0205
 Day-Brite Lighting is a Genlyte Thomas Group.

 **Day-Brite® Lighting**