

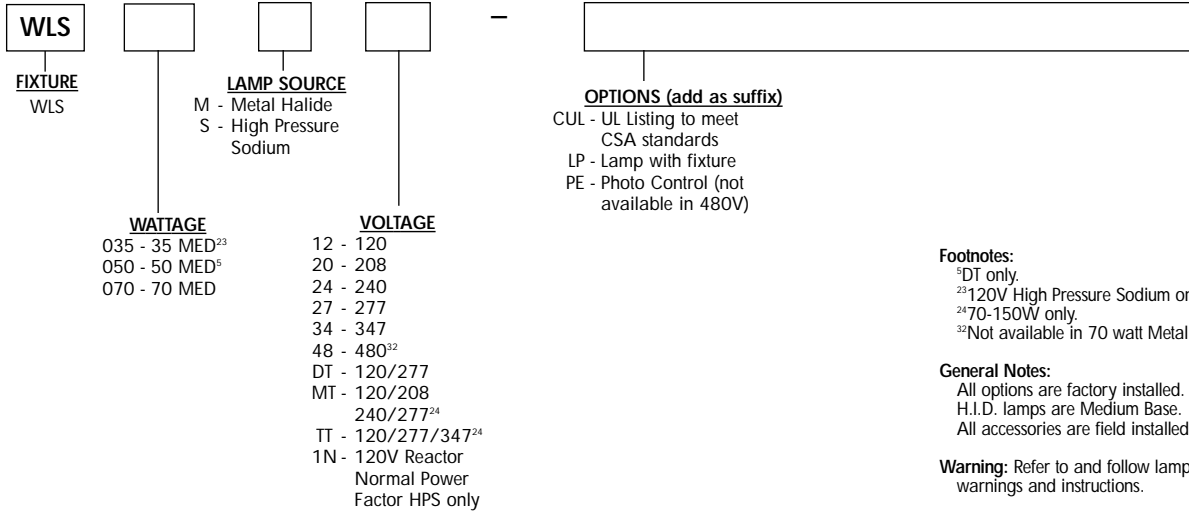
JOB NAME _____

TYPE _____

The soft-cornered Small Wall Light is ideal for apartment complexes, motels, schools, industrial applications, office complexes, or parking garages.

ORDERING MATRIX

SAMPLE CATALOG NUMBER: WLS070MDT-LP



Footnotes:

- ⁵DT only.
- ²³120V High Pressure Sodium only.
- ²⁴70-150W only.
- ³²Not available in 70 watt Metal Halide.

General Notes:

- All options are factory installed.
- H.I.D. lamps are Medium Base.
- All accessories are field installed.

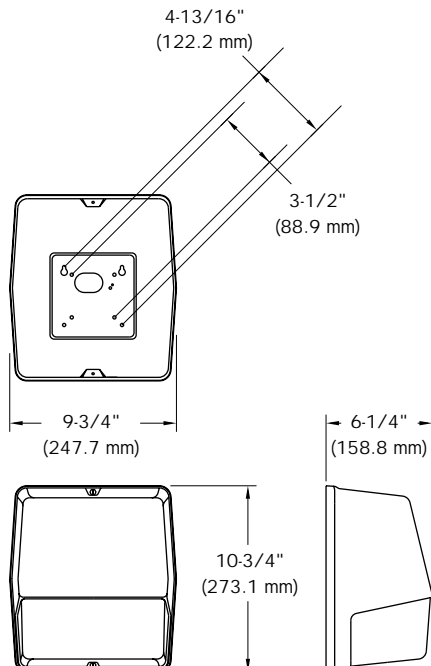
Warning: Refer to and follow lamp manufacturer's warnings and instructions.

ACCESSORIES (order separately)

- WLS-SB - Die cast aluminum surface mounting box
- WLS-PEC12 - Photo control 120 volt
- WLS-PEC27 - Photo Control 208-277 volt
- WLS-TP - Tamper proof

(For additional descriptions of Wall Light accessories refer to sheet number OA-50030.)

DIMENSIONS



ENERGY DATA

HIGH PRESSURE SODIUM

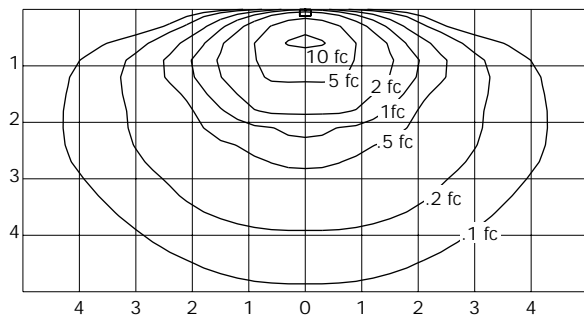
REACTOR BALLAST INPUT WATTS	35 watt-46 watts
HX-HPF BALLAST INPUT WATTS	50 watt-66 watts
	70 watt-91 watts

METAL HALIDE

HX-HPF BALLAST INPUT WATTS	50 watt-72 watts
	70 watt-90 watts

WEIGHT = 12 lbs. (max.)

PHOTOMETRICS



UNITS SHOWN IN TERMS OF MOUNTING HEIGHT
INITIAL FOOTCANDLES SHOWN

CATALOG NUMBER: WLS070M
 TEST NUMBER: 14071-2P
 LAMP: METAL HALIDE
 WATTAGE: 70
 LUMENS: 5,600
 TILT ANGLE: 0°
 MOUNTING HEIGHT: 10 FEET

LIGHT LEVEL MULTIPLYING FACTORS	
MOUNTING HEIGHT	MULTIPLIER
20'	0.25
15'	0.44
12'	0.69
10'	1.00
8'	1.56

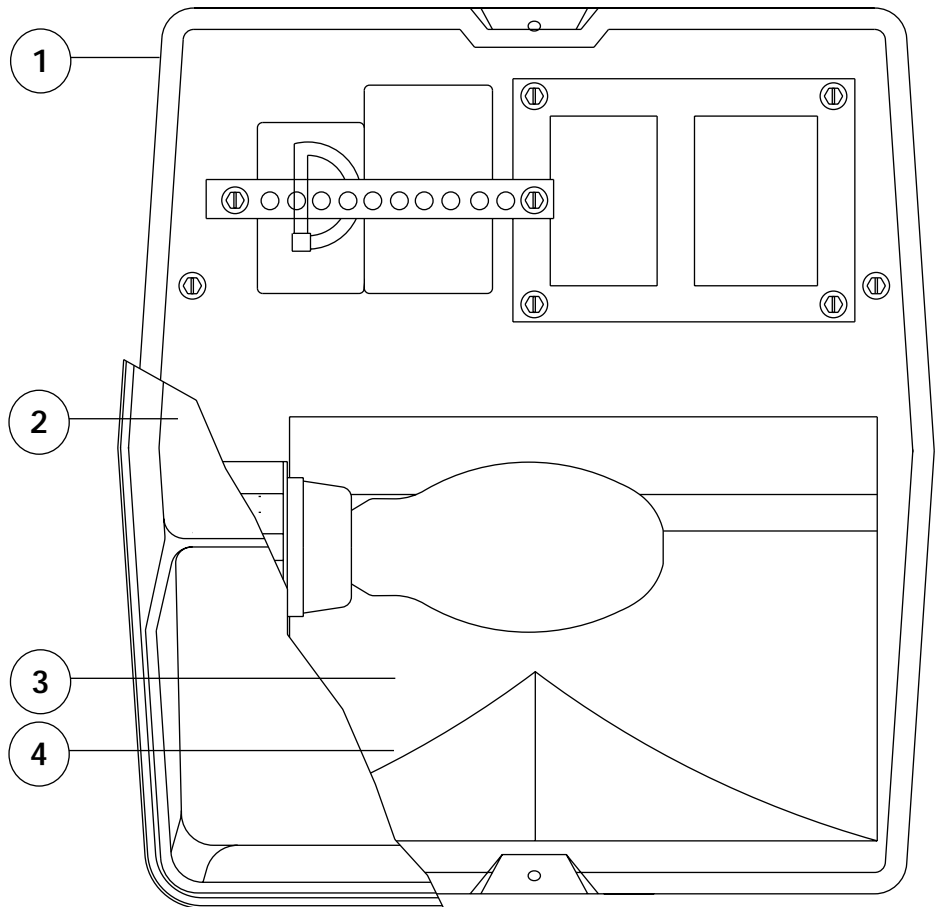
ADDITIONAL TEST NUMBERS

DESCRIPTION/CATALOG NUMBER	TEST NUMBER
WLS050M	14071-1P
WLS070S	14074
WLS050S	14080-1P
WLS035S	14080

PRODUCT FEATURES

UL 1598 Listed wet location and 25°C ambient for all lamp wattages listed.
 Optional NSF Certification for Non Food Zone areas.

1. Mounts directly to 3-1/2" octagon or 4" square outlet box or can be surface mounted with WLS-SB (ordered separately).
2. Decorative one piece injection molded, UV stabilized polycarbonate front housing painted dark bronze with clear lens for vandal resistance and long life.
3. Reflector is specular anodized aluminum and provides precise uplight cutoff with no light above 90°.
4. Field adjustable light distribution.



Visit our web site at www.daybritelighting.com

776 South Green Street Tupelo, MS 38804 Phone: 662-842-7212 Fax: 662-841-5501

WL-43070

189 Bullock Drive Markham, Ontario Canada L3P 1W4 Phone: 905-294-9570 Fax: 905-294-8911
 Day-Brite Lighting reserves the right to make changes without notice. ©September 2001. DL2.5M0901
 Day-Brite Lighting is a Genlyte Thomas Group.

 **Day-Brite Lighting**