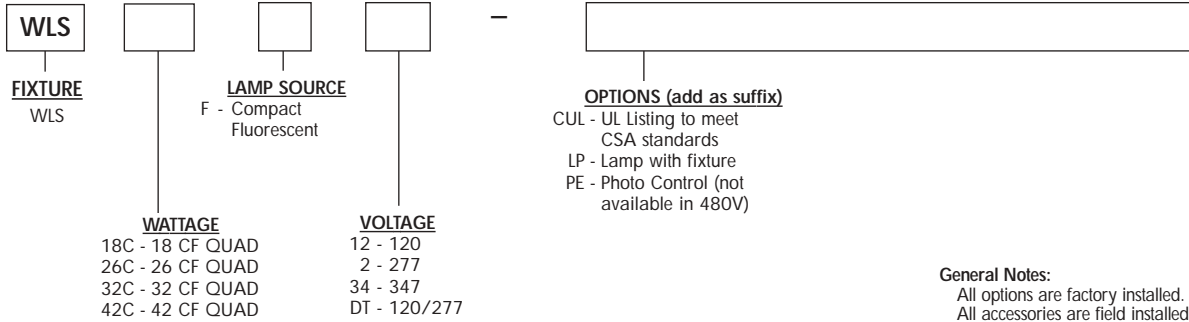


JOB NAME _____
TYPE _____

The soft-cornered Small Wall Light is ideal for apartment complexes, motels, schools, industrial applications, office complexes, or parking garages.

ORDERING MATRIX

SAMPLE CATALOG NUMBER: WLS28CF12-PE



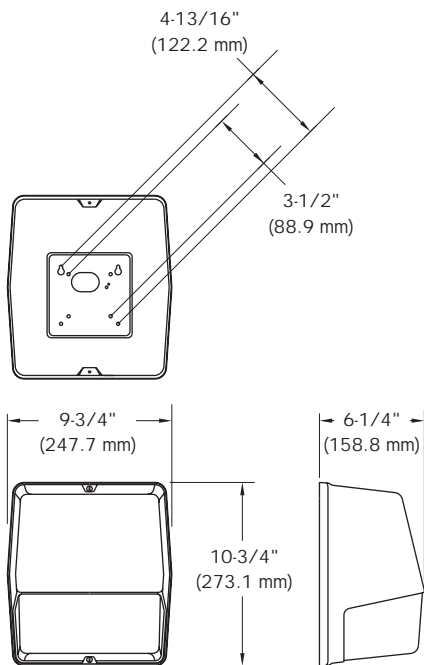
General Notes:
All options are factory installed.
All accessories are field installed.

ACCESSORIES (order separately)

- WLS-SB - Die cast aluminum surface mounting box
- WLS-PEC12 - Photo Control 120 volt
- WLS-PEC27 - Photo Control 208-277 volt
- WLS-TP - Tamper proof

(For additional descriptions of Wall Light accessories refer to sheet number OA-50030.)

DIMENSIONS

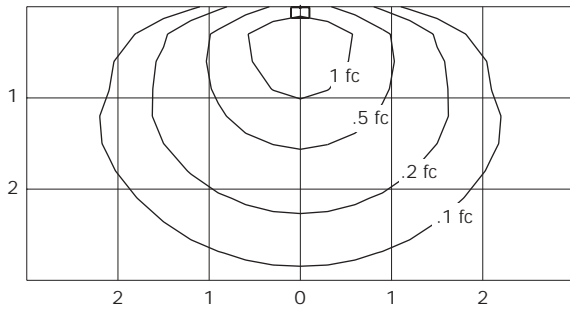


ENERGY DATA

LAMP WATTS	LAMP QUANTITY	INPUT WATTS
18	1	19
26	1	27
32	1	36
42	1	48

WEIGHT = 8 lbs. (max.)

PHOTOMETRICS



CATALOG NUMBER: WLS26CF
 TEST NUMBER: 14086
 LAMP: Compact Fluorescent
 WATTAGE: 26
 LUMENS: 1,600
 TILT ANGLE: 0°
 MOUNTING HEIGHT: 10 FEET

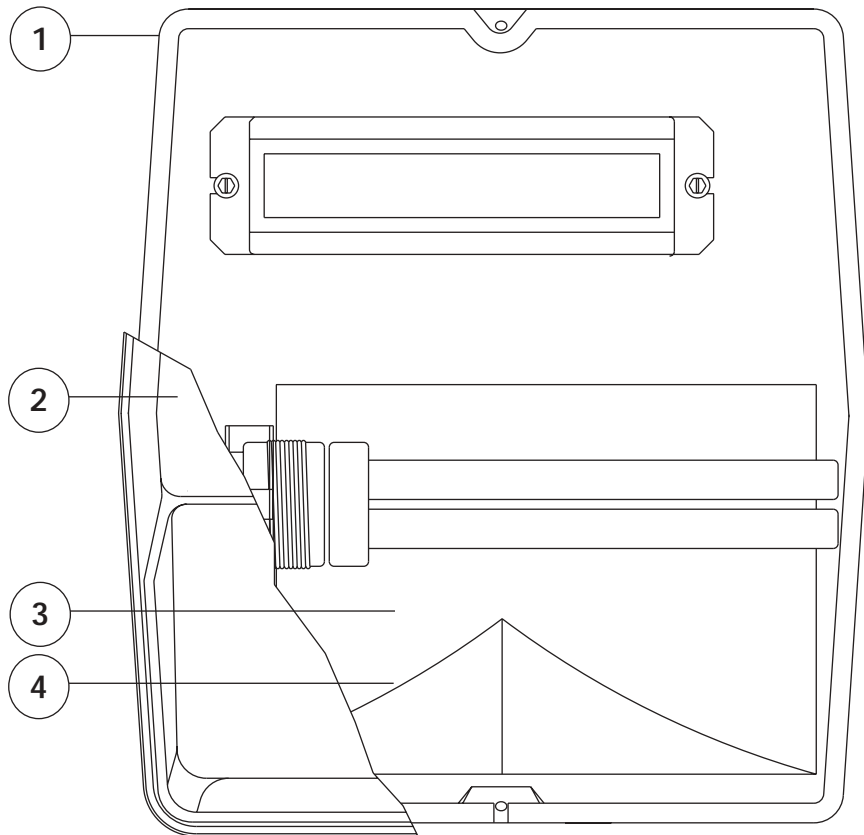
LIGHT LEVEL MULTIPLYING FACTORS	
MOUNTING HEIGHT	MULTIPLIER
20'	0.25
15'	0.44
12'	0.69
10'	1.00
8'	1.56

UNITS SHOWN IN TERMS OF MOUNTING HEIGHT
 INITIAL FOOTCANDLES SHOWN

PRODUCT FEATURES

UL 1598 Listed wet location and 25°C ambient for all lamp wattages listed. Optional NSF Certification for Non Food Zone areas.

1. Mounts directly to 3-1/2" octagon or 4" square outlet box or can be surface mounted with WLS-SB.
2. Decorative one piece injection molded, UV stabilized polycarbonate front housing painted dark bronze with clear lens for vandal resistance and long life.
3. Reflector is specular anodized aluminum and provides precise upright cutoff with no light above 90°.
4. Field adjustable light distribution.



Visit our web site at www.daybritelighting.com

776 South Green Street Tupelo, MS 38804 Phone: 662-842-7212 Fax: 662-841-5501

WL-43071.1 189 Bullock Drive Markham, Ontario Canada L3P 1W4 Phone: 905-294-9570 Fax: 905-294-8911
 Day-Brite Lighting reserves the right to make changes without notice. ©May 2004. DL2M0504

Day-Brite Lighting is a Genlyte Thomas Group.

