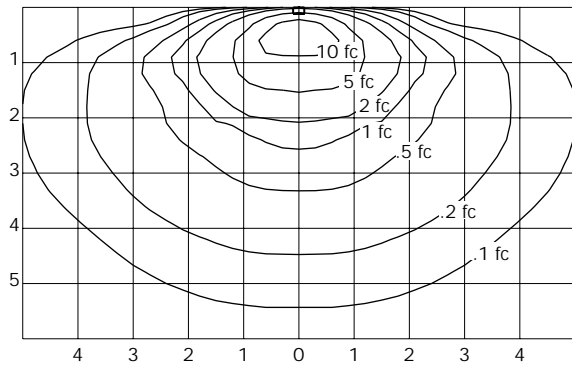




## PHOTOMETRICS



UNITS SHOWN IN TERMS OF MOUNTING HEIGHT  
INITIAL FOOTCANDLES SHOWN

CATALOG NUMBER: WLD100M  
 TEST NUMBER: 14071  
 LAMP: METAL HALIDE  
 WATTAGE: 100  
 LUMENS: 8,500  
 TILT ANGLE: 0°  
 MOUNTING HEIGHT: 10 FEET

LIGHT LEVEL MULTIPLYING FACTORS	
MOUNTING HEIGHT	MULTIPLIER
20'	0.25
15'	0.44
12'	0.69
10'	1.00
8'	1.56

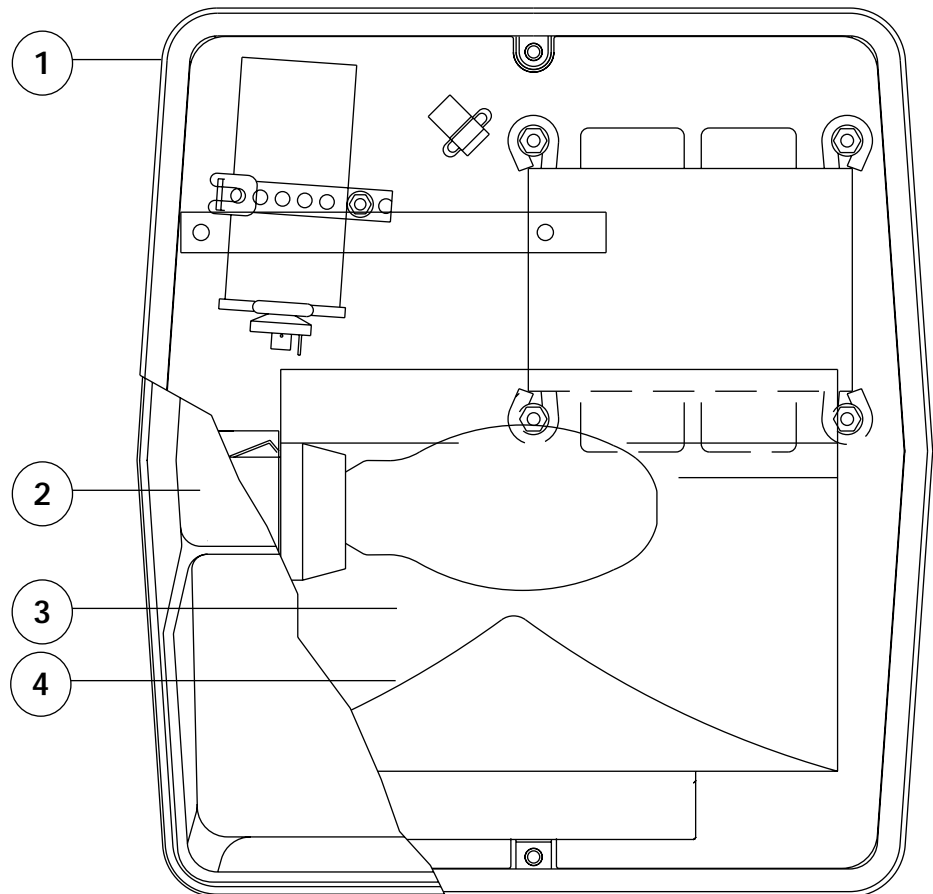
### ADDITIONAL TEST NUMBERS

DESCRIPTION/CATALOG NUMBER	TEST NUMBER
WLD070M	14071-2P
WLD070S	14074

## PRODUCT FEATURES

UL 1598 Listed wet location and 25°C ambient for all lamp wattages listed.  
 Optional NSF Certification for Non Food Zone areas.

1. Back housing is die cast aluminum and mounts easily to 3-1/2" or 4" outlet box. 3/4" threaded conduit top entry with plug and 3/4" knockouts on each side for surface conduit entry.
2. Decorative one piece injection molded, UV stabilized polycarbonate front housing painted dark bronze with clear lens for vandal resistance and long life.
3. Reflector is specular anodized aluminum and provides precise upright cutoff with no light above 90°.
4. Field adjustable light distribution.



Visit our web site at [www.daybritelighting.com](http://www.daybritelighting.com)

776 South Green Street Tupelo, MS 38804 Phone: 662-842-7212 Fax: 662-841-5501

**WL-43080**

189 Bullock Drive Markham, Ontario Canada L3P 1W4 Phone: 905-294-9570 Fax: 905-294-8911  
 Day-Brite Lighting reserves the right to make changes without notice. ©September 2001. DL2.5M0901  
 Day-Brite Lighting is a Genlyte Thomas Group.

 **Day-Brite Lighting**