

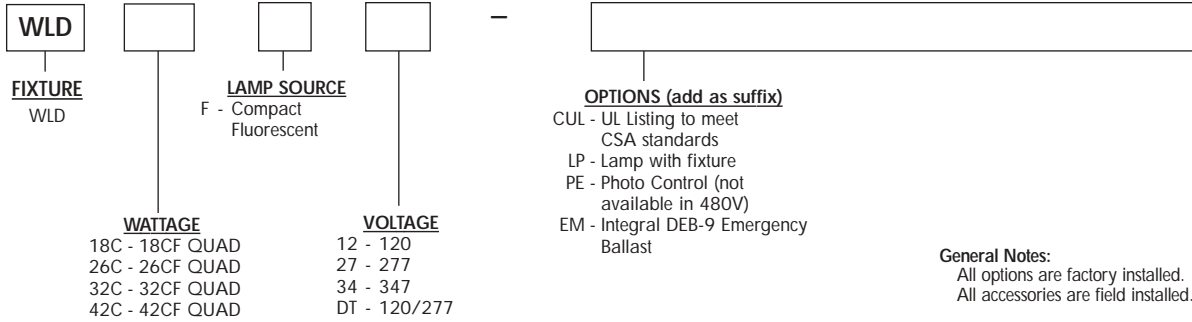
JOB NAME _____

TYPE _____

The soft-cornered Small Wall Light is ideal for apartment complexes, motels, schools, industrial applications, office complexes, or parking garages.

ORDERING MATRIX

SAMPLE CATALOG NUMBER: WLD28CF12-PE



General Notes:
All options are factory installed.
All accessories are field installed.

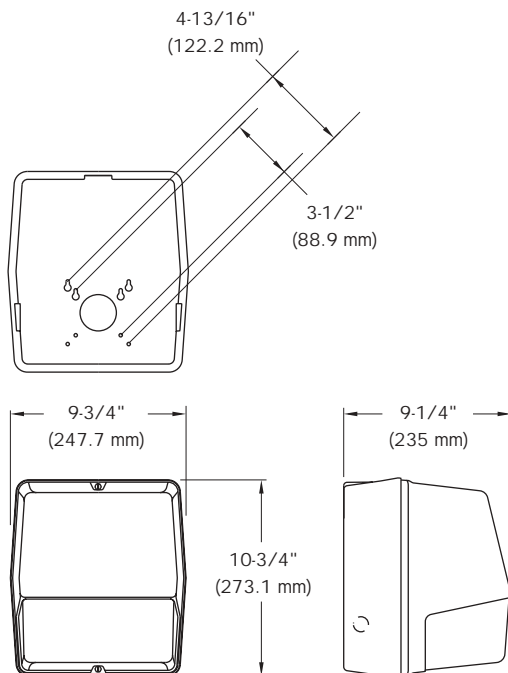
Warning: Refer to and follow lamp manufacturer's warnings and instructions.

ACCESSORIES (order separately)

- WLS-PEC12 - Photo Control 120 volt
- WLS-PEC27 - Photo Control 208-277 volt
- WLS-D-TP - Tamper proof
- PEC-MT - Photo Control multi-volt
- PEC-48 - Photo Control 480 volt

(For additional descriptions of Wall Light accessories refer to sheet number OA-50030.)

DIMENSIONS

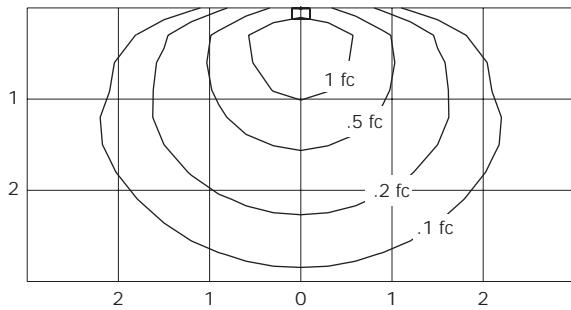


ENERGY DATA

LAMP WATTS	LAMP QUANTITY	INPUT WATTS
18	1	19
26	1	27
32	1	36
42	1	48

WEIGHT = 10 lbs. (max.)

PHOTOMETRICS



UNITS SHOWN IN TERMS OF MOUNTING HEIGHT
INITIAL FOOTCANDLES SHOWN

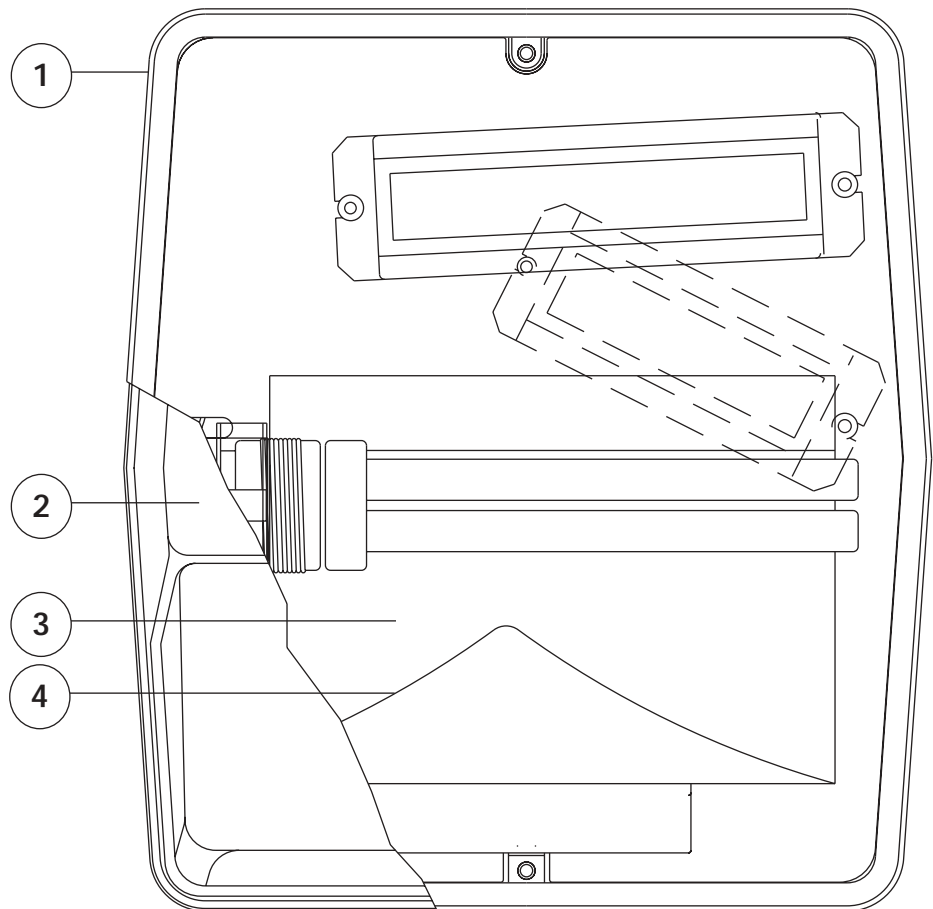
CATALOG NUMBER: WLS26CF
 TEST NUMBER: 14086
 LAMP: Compact Fluorescent
 WATTAGE: 26
 LUMENS: 1,600
 TILT ANGLE: 0°
 MOUNTING HEIGHT: 10 FEET

LIGHT LEVEL MULTIPLYING FACTORS	
MOUNTING HEIGHT	MULTIPLIER
20'	0.25
15'	0.44
12'	0.69
10'	1.00
8'	1.56

PRODUCT FEATURES

UL 1598 Listed wet location and 25°C ambient for all lamp wattages listed.
 Optional NSF Certification for Non Food Zone areas.

1. Back housing is die cast aluminum and mounts easily to 3-1/2" or 4" outlet box. 3/4" threaded conduit top entry with plug and 3/4" knockouts on each side for surface conduit entry.
2. Decorative one piece injection molded, UV stabilized polycarbonate front housing painted dark bronze with clear lens for vandal resistance and long life.
3. Reflector is specular anodized aluminum and provides precise upright cutoff with no light above 90°.
4. Field adjustable light distribution.



Visit our web site at www.daybritelighting.com

776 South Green Street Tupelo, MS 38804 Phone: 662-842-7212 Fax: 662-841-5501

WL-43081.1

189 Bullock Drive Markham, Ontario Canada L3P 1W4 Phone: 905-294-9570 Fax: 905-294-8911
 Day-Brite Lighting reserves the right to make changes without notice. ©May 2004. DL2.5M0504
 Day-Brite Lighting is a Genlyte Thomas Group.

 **Day-Brite Lighting**