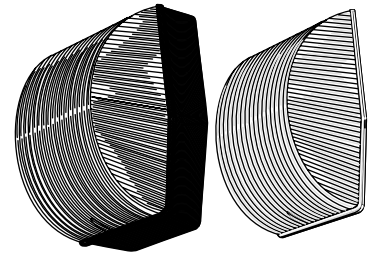


JOB NAME _____
 TYPE _____

CS-SMALL CANOPY/ WALL LIGHT-H.I.D. 50-100 watt Metal Halide 35-150 watt High Pressure Sodium



The Small Canopy's sleek appearance makes it possible to bring wall packs to the front of office buildings, schools, hotels and every type of commercial building. Smooth dayform lines produce dramatic nighttime effects, enhancing the architectural design of the building.

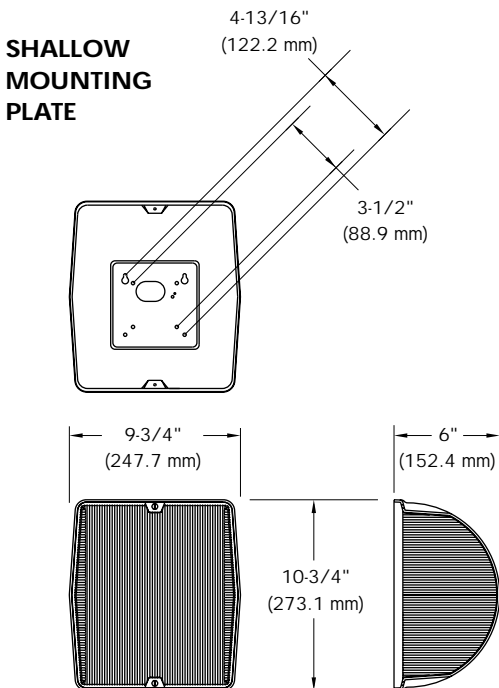
ORDERING MATRIX

SAMPLE CATALOG NUMBER: CSP070MMT-LP

□	□	□	□	-	□	-	□
FIXTURE		LAMP SOURCE		TRIM FINISH COLORS			
CSP - Perimeter Trim CST - Top Trim CSF - Front Trim CSB - Top & Bottom Trim CSD - Top & Front Trim CSH - Half Trim		M - Metal Halide S - High Pressure Sodium		BLANK - Dark Bronze BK - Black WT - White AL - Aluminum			
WATTAGE		VOLTAGE		OPTIONS (add as suffix)			
035 - 35 MED ²³ 050 - 50 MED ⁵ 070 - 70 MED 100 - 100 MED 150 - 150 MED ²		12 - 120 20 - 208 24 - 240 27 - 277 34 - 347 48 - 480 ³² DT - 120/277 MT - 120/208 240/277 ²⁴ TT - 120/277/347 ²⁴ 1N - 120V Reactor Normal Power Factor HPS only		CUL - UL Listing to meet CSA standards LP - Lamp with fixture PE - Photo Control (CSH unit only, not available in 480V)			
ACCESSORIES (order separately)				Footnotes:			
CSH-PEC12 - Photo control 120 volt (CSH only) CSH-PEC 27 - Photo Control 208-277 volt (CSH only) CSH-PEC 34 - Photo Control 347 volt (CSH only) WLS-TP - Tamper proof (for models without back box) WLS-D-TP - Tamper proof WLS-SB - Die cast aluminum surface mounting box				² High Pressure Sodium only. ⁵ DT only. ²³ 120V High Pressure Sodium only. ²⁴ 70-150V only. ³² Not available in 70 watt Metal Halide.			
				General Notes: All options are factory installed. Medium Base lamp only. All accessories are field installed. Shallow mounting plate standard for CSH units with 35-70 watt. All other units have die cast mounting box.			
				Warning: Refer to and follow the lamp manufacturer's warnings and instructions.			

(For additional descriptions of Wall Light accessories refer to sheet number OA-50030.)

DIMENSIONS



ENERGY DATA

HIGH PRESSURE SODIUM

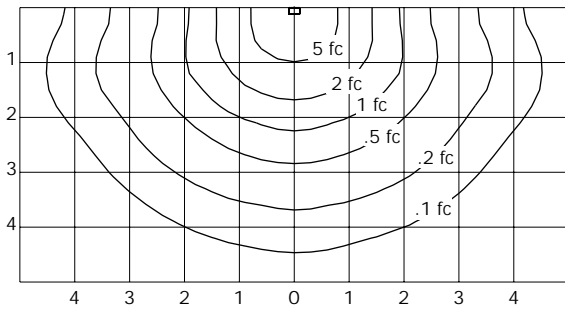
REACTOR BALLAST INPUT WATTS
35 watt-46 watts
HX-HPF BALLAST INPUT WATTS
50 watt-66 watts
70 watt-91 watts
100 watt-130 watts
150 watt-188 watts

METAL HALIDE

HX-HPF BALLAST INPUT WATTS
50 watt-72 watts
70 watt-90 watts
100 watt-129 watts
150 watt-189 watts

WEIGHT = 17 lbs. (max.)

PHOTOMETRICS



UNITS SHOWN IN TERMS OF MOUNTING HEIGHT
INITIAL FOOTCANDLES SHOWN

CATALOG NUMBER: CSP100M
 TEST NUMBER: 17772
 LAMP: METAL HALIDE
 WATTAGE: 100
 LUMENS: 9,000
 TILT ANGLE: 0°
 MOUNTING HEIGHT: 10 FEET

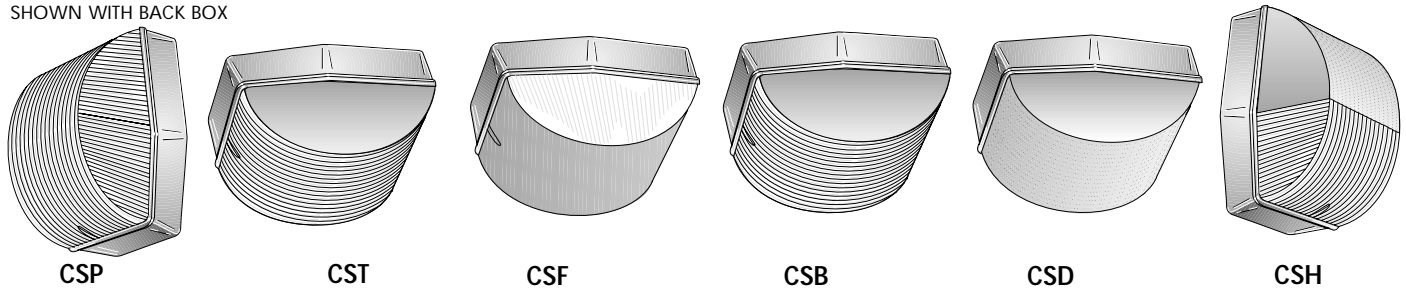
LIGHT LEVEL MULTIPLYING FACTORS	
MOUNTING HEIGHT	MULTIPLIER
20'	0.25
15'	0.44
12'	0.69
10'	1.00
8'	1.56

ADDITIONAL TEST NUMBERS

DESCRIPTION/CATALOG NUMBER	TEST NUMBER
CSP070S	17776
CST100M	17769
CST070S	17773
CSB100M	17770
CSB070S	17774
CSF100M	17771
CSF070S	17775
CSH100M	17782
CSH070S	17781

TRIM OPTIONS

SHOWN WITH BACK BOX

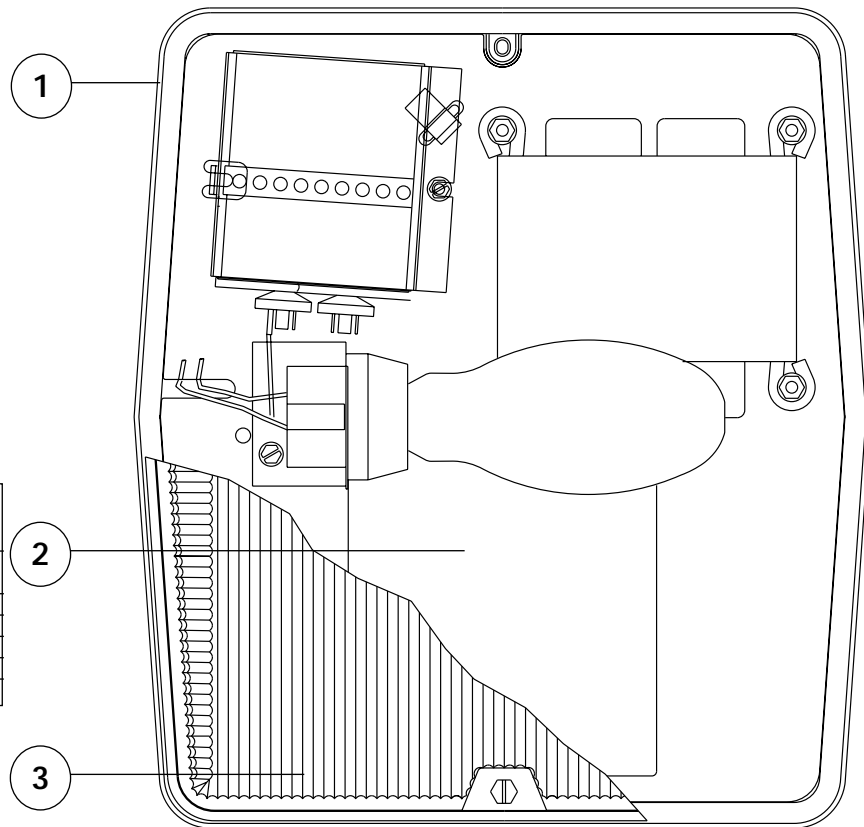


PRODUCT FEATURES

UL 1598 Listed wet location, 25°C ambient, and feed-through wiring (units with back box only) for all lamp wattages listed.

1. Back plate is corrosion resistant and mounts easily to 3-1/2" or 4" outlet box. 3/4" threaded conduit top entry with plug. 3/4" knockouts on each side for surface conduit entry. (Die cast back box only)
2. Reflector is finished with high reflectance white polyester powder.
3. Attractive injection-molded clear polycarbonate lens with 0.125" minimum wall thickness withstands extreme abuse.

H.I.D.	SHALLOW MOUNTING PLATE	DIE CAST BACK BOX
CSH (35-75W)	X	
CSH (100-150W)		X
CSB (35-150W)		X
CST (35-150W)		X
CSP (35-150W)		X
CSF (35-150W)		X
CSD (35-150W)		X



Visit our web site at www.daybritelighting.com

776 South Green Street Tupelo, MS 38804 Phone: 662-842-7212 Fax: 662-841-5501

WL-43090

189 Bullock Drive Markham, Ontario Canada L3P 1W4 Phone: 905-294-9570 Fax: 905-294-8911
 Day-Brite Lighting reserves the right to make changes without notice. ©September 2001. DL2.5M0901
 Day-Brite Lighting is a Genlyte Thomas Group.

 **Day-Brite Lighting**