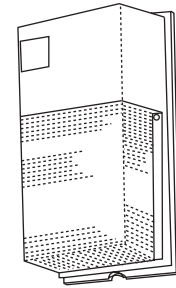


NITE BRITES

JOB NAME _____

TYPE _____

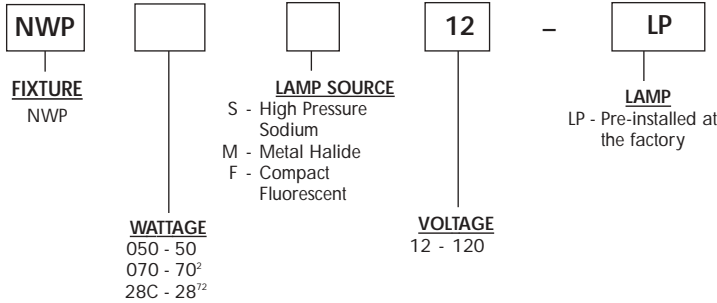
NWP- WALL PACK
 50-70 watt High Pressure Sodium
 50 watt Metal Halide
 28 watt Compact Fluorescent



The NWP Wall Light is ideal for motels, hotels, apartments complexes and condominiums. Its standard built-in photo cell automatically turns the luminaire on and off at dusk and dawn.

ORDERING MATRIX

SAMPLE CATALOG NUMBER: NWP050S12-LP



Footnotes:

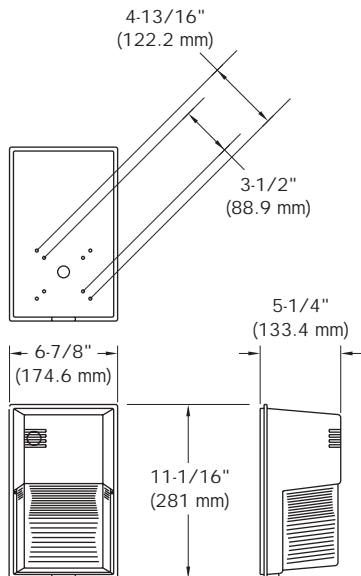
²High Pressure Sodium Only.
⁷²Compact Fluorescent Only.

General Notes:

H.I.D. lamps are Medium Base.

Warning: Refer to and follow lamp manufacturer's warnings and instructions.

DIMENSIONS



ENERGY DATA

HIGH PRESSURE SODIUM

REACTOR BALLAST INPUT WATTS

70 watt-91 watts

100 watt-130 watts

METAL HALIDE

HI-REACTANCE INPUT WATTS

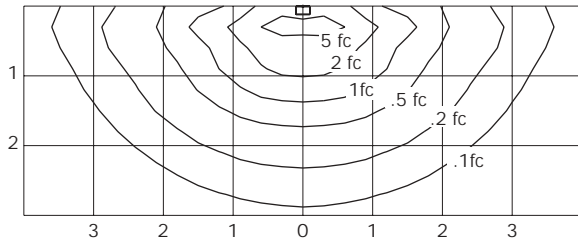
50 watt-69 watts

COMPACT FLUORESCENT

28 watt-32 watts

WEIGHT = 6.5 lbs.

PHOTOMETRICS



UNITS SHOWN IN TERMS OF MOUNTING HEIGHT
INITIAL FOOTCANDLES SHOWN

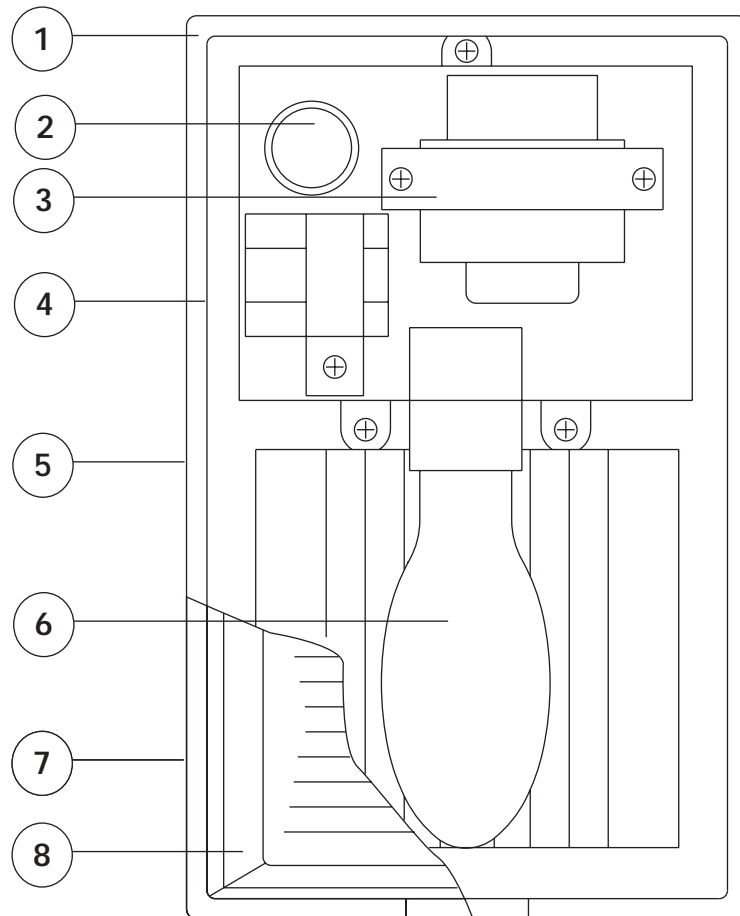
CATALOG NUMBER: NWP050S
 TEST NUMBER: 21492
 LAMP: High Pressure Sodium
 WATTAGE: 50
 LUMENS: 4,000
 TILT ANGLE: 0°
 MOUNTING HEIGHT: 10 FEET

LIGHT LEVEL MULTIPLYING FACTORS	
MOUNTING HEIGHT	MULTIPLIER
20'	0.25
15'	0.44
12'	0.69
10'	1.00
8'	1.56

PRODUCT FEATURES

UL 1598 Listed wet location at 25°C ambient for all lamp wattages listed.

1. Housing and lens are one piece UV stabilized polycarbonate.
2. Button photo control included.
3. Core and coil H.I.D. reactor or Hi-Reactance electromagnetic fluorescent ballast.
4. Silicone gasketing provides extra protection against moisture.
5. Mounts easily to a 3-1/2" or 4" outlet box.
6. Available in MH, HPS or Compact Fluorescent (H.I.D. lamp shown).
7. Back plate is die cast aluminum.
8. Lens trim is painted in a dark bronze finish.



Visit our web site at www.daybritelighting.com

776 South Green Street Tupelo, MS 38804 Phone: 662-842-7212 Fax: 662-841-5501

WL-43110.2

189 Bullock Drive Markham, Ontario Canada L3P 1W4 Phone: 905-294-9570 Fax: 905-294-8911
 Day-Brite Lighting reserves the right to make changes without notice. ©February 2003. DL2.5M0203
 Day-Brite Lighting is a Genlyte Thomas Group.

 **Day-Brite Lighting**