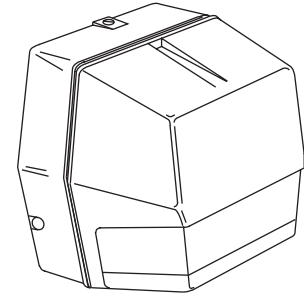


## WLB-DIE CAST CUTOFF WALL LIGHT-H.I.D. 50-100 watt Metal Halide 35-150 watt High Pressure Sodium

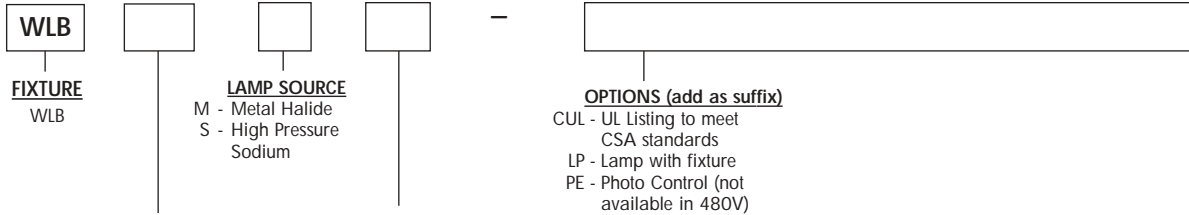


JOB NAME \_\_\_\_\_  
TYPE \_\_\_\_\_

The Cutoff wall light features a lens trim that eliminates uplight, making it ideal for installations where keeping the sky dark, light pollution and light trespass are a primary concern.

### ORDERING MATRIX

SAMPLE CATALOG NUMBER: WLB150S12-LP



**FIXTURE**  
WLB

**LAMP SOURCE**  
M - Metal Halide  
S - High Pressure Sodium

**OPTIONS (add as suffix)**  
CUL - UL Listing to meet CSA standards  
LP - Lamp with fixture  
PE - Photo Control (not available in 480V)

**WATTAGE**  
035 - 35 MED<sup>23</sup>  
050 - 50 MED<sup>5</sup>  
070 - 70 MED  
100 - 100 MED  
150 - 150 MED<sup>31</sup>

**VOLTAGE**  
12 - 120  
20 - 208  
24 - 240  
27 - 277  
34 - 347  
48 - 480<sup>32</sup>  
DT - 120/277  
MT - 120/208  
240/277<sup>24</sup>  
TT - 120/277/347<sup>24</sup>  
1N - 120V Reactor  
Normal Power  
Factor HPS only

**Footnotes:**  
<sup>5</sup>DT only.  
<sup>23</sup>120V High Pressure Sodium only.  
<sup>24</sup>70 - 150W only.  
<sup>31</sup>Not available in standard Metal Halide.  
<sup>32</sup>Not available in 70 watt Metal Halide.

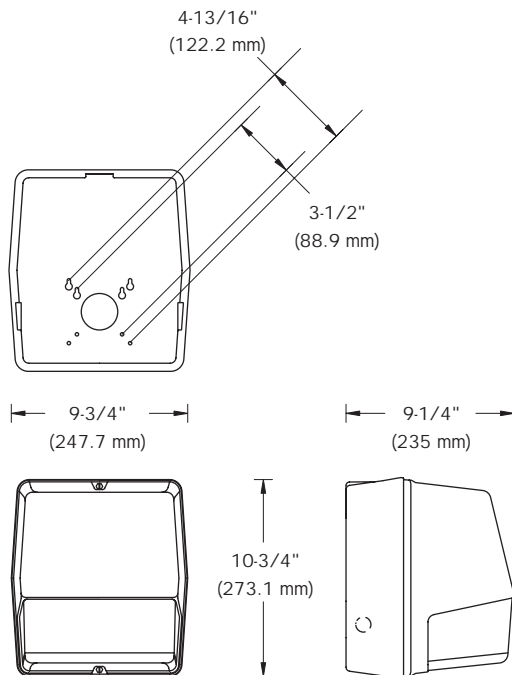
**General Notes:**  
All options are factory installed.  
H.I.D. lamps are Medium Base.  
All accessories are field installed.

**Warning:** Refer to and follow lamp manufacturer's warnings and instructions.

#### ACCESSORIES (order separately)

WLS-PEC12 - Photo control 120 volt  
WLS-PEC27 - Photo Control 208-277 volt  
WLS-D-TP - Tamper proof screws  
PEC-MT - Photo Control multi-volt  
PEC-48 - Photo Control 480 volt  
(For additional descriptions of Wall Light accessories refer to sheet number OA-50030.)

### DIMENSIONS



### ENERGY DATA

#### HIGH PRESSURE SODIUM

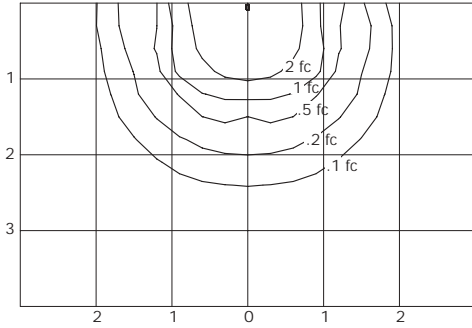
REACTOR BALLAST INPUT WATTS	35 watt-46 watts
HX-HPF BALLAST INPUT WATTS	50 watt-66 watts
	70 watt-91 watts
	100 watt-130 watts
	150 watt-188 watts

#### METAL HALIDE

HX-HPF BALLAST INPUT WATTS	50 watt-72 watts
	70 watt-90 watts
	100 watt-129 watts
	150 watt-189 watts

**WEIGHT = 17 lbs. (max.)**

**PHOTOMETRICS**

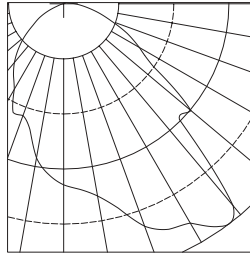


UNITS SHOWN IN TERMS OF MOUNTING HEIGHT  
INITIAL FOOTCANDLES SHOWN

CATALOG NUMBER: WLB050M  
 TEST NUMBER: 23260  
 LAMP: METAL HALIDE  
 WATTAGE: 50  
 LUMENS: 3,100  
 TILT ANGLE: 0°  
 MOUNTING HEIGHT: 10 FEET

LIGHT LEVEL MULTIPLYING FACTORS	
MOUNTING HEIGHT	MULTIPLIER
20'	0.25
15'	0.44
12'	0.69
10'	1.00
8'	1.56

**POLAR GRAPH**



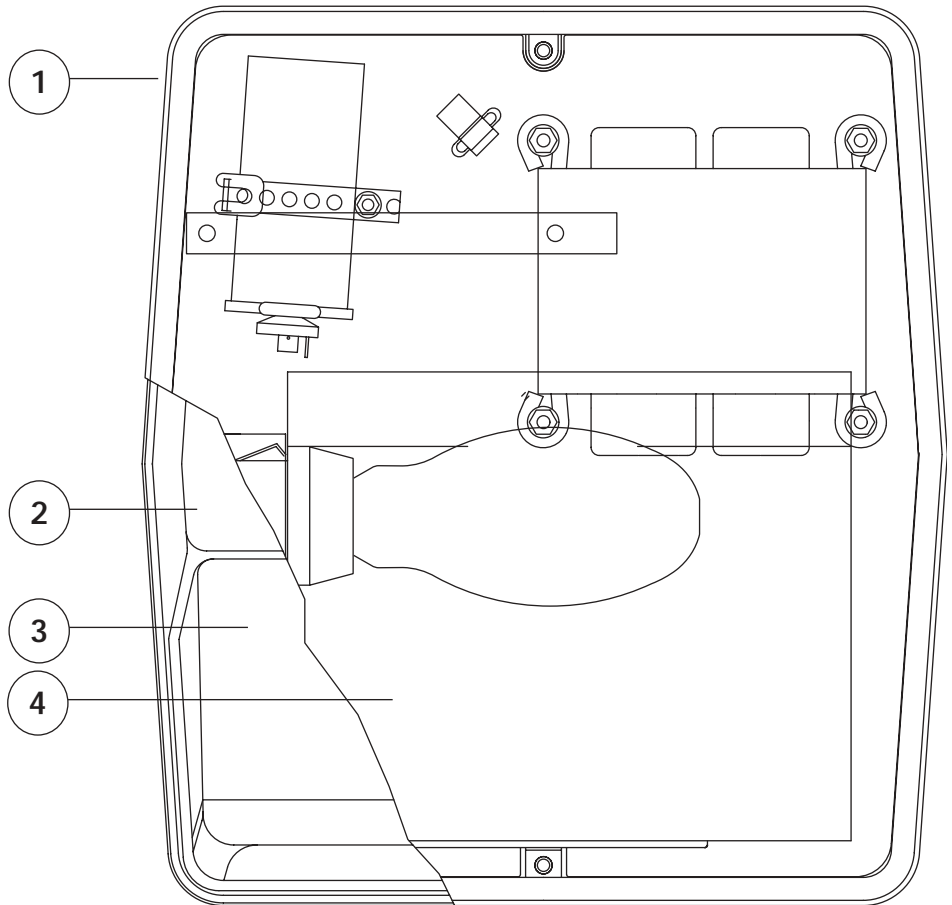
**ADDITIONAL TEST NUMBERS**

DESCRIPTION/CATALOG NUMBER	TEST NUMBER
WLB070M	23260-1P

**PRODUCT FEATURES**

UL 1598 Listed wet location and 25°C ambient for all lamp wattages listed.  
 Optional NSF Certification for Non Food Zone areas.

1. Back housing is die cast aluminum and mounts easily to 3-1/2" or 4" outlet box. 3/4" threaded conduit top entry with plug and 3/4" knockouts on each side for surface conduit entry.
2. Decorative one piece injection molded front housing is a UV stabilized polycarbonate for vandal resistance and long life.
3. Lens is painted dark bronze and exposes only the bottom portion of the clear lens, helping to eliminate uplight that leads to unwanted light pollution and light trespass.
4. Formed diffuse-white reflector provides smooth light distribution.



Visit our web site at [www.daybritelighting.com](http://www.daybritelighting.com)

776 South Green Street Tupelo, MS 38804 Phone: 662-842-7212 Fax: 662-841-5501

**WL-43130**

189 Bullock Drive Markham, Ontario Canada L3P 1W4 Phone: 905-294-9570 Fax: 905-294-8911  
 Day-Brite Lighting reserves the right to make changes without notice. ©February 2003. DL2.5M0203  
 Day-Brite Lighting is a Genlyte Thomas Group.

