

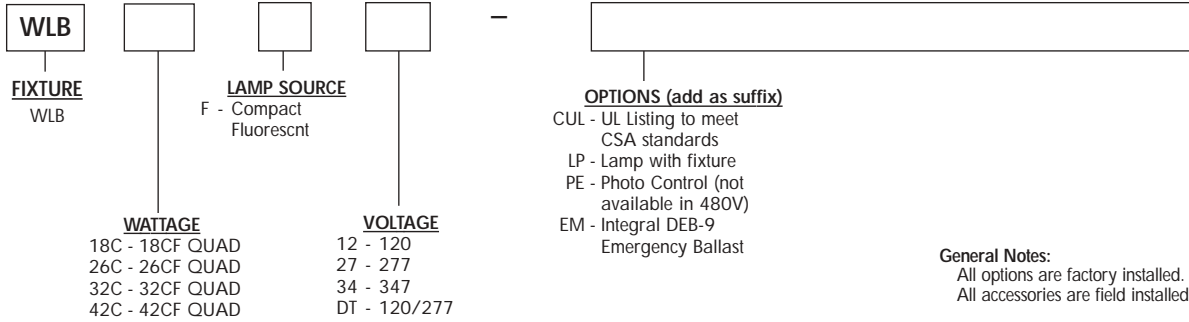
JOB NAME _____

TYPE _____

The Cutoff wall light features a lens trim that eliminates uplight, making it ideal for installations where keeping the sky dark, light pollution and light trespass are a primary concern.

ORDERING MATRIX

SAMPLE CATALOG NUMBER: WLB28CF12-PE



General Notes:
All options are factory installed.
All accessories are field installed.

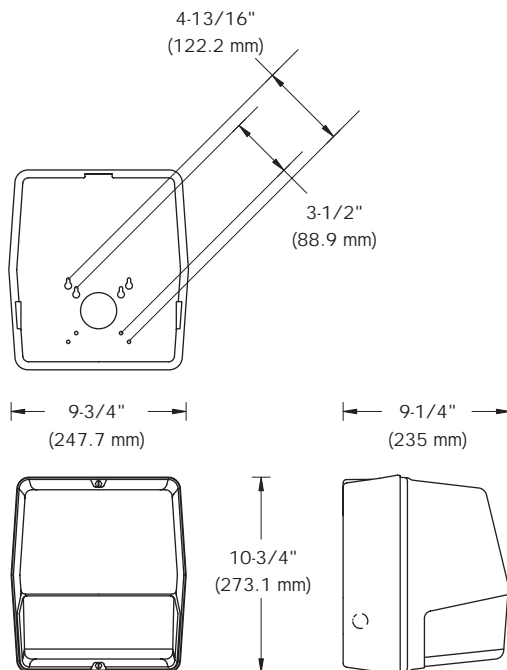
Warning: Refer to and follow lamp manufacturer's warnings and instructions.

ACCESSORIES (order separately)

- WLS-PEC12 - Photo Control 120 volt
- WLS-PEC27 - Photo Control 208-277 volt
- WLS-D-TP - Tamper proof screws
- PEC-MT - Photo Control multi-volt
- PEC-48 - Photo Control 480 volt

(For additional descriptions of Wall Light accessories refer to sheet number OA-50030.)

DIMENSIONS

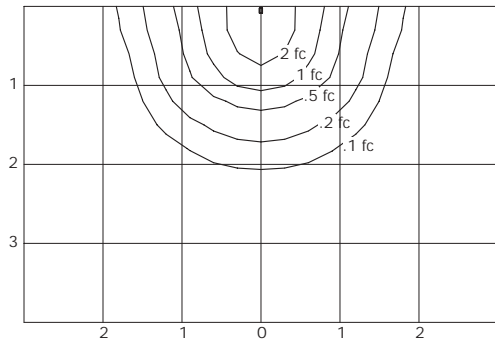


ENERGY DATA

LAMP WATTS	LAMP QUANTITY	INPUT WATTS
18	1	19
26	1	27
32	1	36
42	1	48

WEIGHT = 10 lbs. (max.)

PHOTOMETRICS

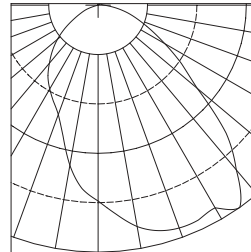


UNITS SHOWN IN TERMS OF MOUNTING HEIGHT
INITIAL FOOTCANDLES SHOWN

CATALOG NUMBER: WLB26CF
 TEST NUMBER: 23525
 LAMP: COMPACT FLUORESCENT
 WATTAGE: 26
 LUMENS: 1,825
 TILT ANGLE: 0°
 MOUNTING HEIGHT: 10 FEET

LIGHT LEVEL MULTIPLYING FACTORS	
MOUNTING HEIGHT	MULTIPLIER
20'	0.25
15'	0.44
12'	0.69
10'	1.00
8'	1.56

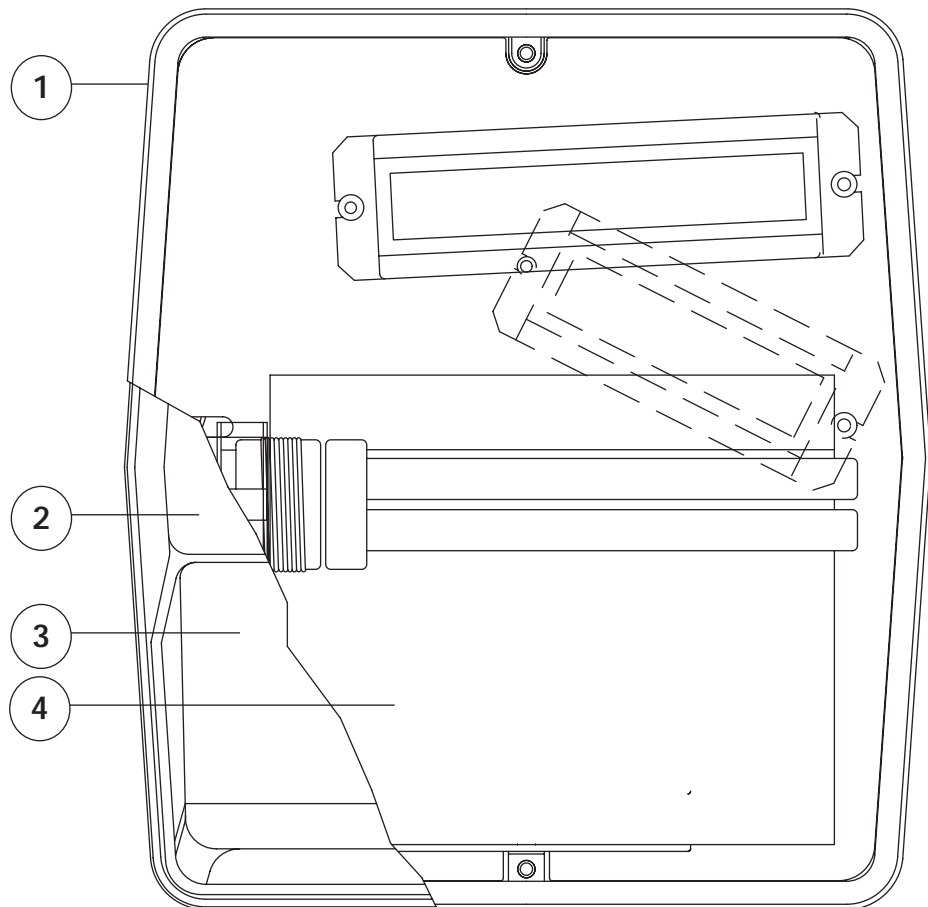
POLAR GRAPH



PRODUCT FEATURES

UL 1598 Listed wet location and 25°C ambient for all lamp wattages listed.
 Optional NSF Certification for Non Food Zone areas.

1. Back housing is die cast aluminum and mounts easily to 3-1/2" or 4" outlet box. 3/4" threaded conduit top entry with plug and 3/4" knockouts on each side for surface conduit entry.
2. Decorative one piece injection molded front housing is a UV stabilized polycarbonate for vandal resistance and long life.
3. Lens is painted dark bronze and exposes only the bottom portion of the clear lens, helping to eliminate uplight that leads to unwanted light pollution and light trespass.
4. Formed, diffuse-white reflector provides smooth light distribution.



Visit our web site at www.daybritelighting.com

776 South Green Street Tupelo, MS 38804 Phone: 662-842-7212 Fax: 662-841-5501

WL-43131.1

189 Bullock Drive Markham, Ontario Canada L3P 1W4 Phone: 905-294-9570 Fax: 905-294-8911

Day-Brite Lighting reserves the right to make changes without notice. ©May 2004. DL2.5M0504

Day-Brite Lighting is a Genlyte Thomas Group.

 **Day-Brite® Lighting**