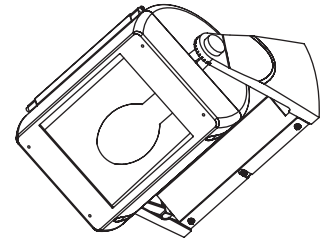


DRS - SMALL REMOTE DIRECT/INDIRECT WALL LIGHT

50-175 watt Metal Halide
35-150 watt High Pressure Sodium



JOB NAME _____
TYPE _____

The Small Remote Direct/Indirect Wall Light is a new approach to lighting areas where traditional wall lights have been used. Use for exterior or interior applications such as building facades, parking areas, archways, canopies, ceilings, and atriums.

ORDERING MATRIX

SAMPLE CATALOG NUMBER: DRS100MXX-NP-LP

DRS	[]	[]	[]	-	[]	-	[]	
FAMILY DRS	LAMP SOURCE M - Metal Halide S - High Pressure Sodium		VOLTAGE XX - Universal		PAINT COLORS Blank - Dark Bronze Textured WT - White Textured BK - Black Textured NP - Natural Aluminum Textured GY - Gray Textured			OPTIONS (add as suffix) CUL - UL Listing to meet CSA standards LP - Lamp with fixture XTR - Extreme Environment
	WATTAGE 035 - 35 ²³ 050 - 50 ⁵ 070 - 70 100 - 100 150 - 150 175 - 175 ¹							Footnotes: ¹ Metal Halide only. ⁵ DT only. ²³ 120V High Pressure Sodium Only.

General Notes:
All options are factory installed.
Medium Base lamp only.
All accessories are field installed.

Warning: Refer to and follow the lamp manufacturer's warnings and instructions.

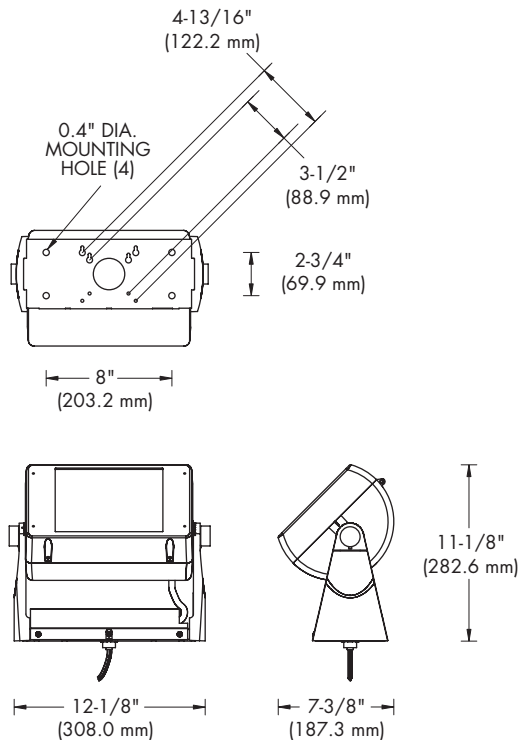
Remote transformer to be supplied by others.

ACCESSORIES (order separately)

GGDNS - Glare Guard
VSDNS - Vandal Shield
WGDNS - Wire Guard
VDNS - Visor

(For additional descriptions of Wall Light accessories refer to sheet number OA-50030.)

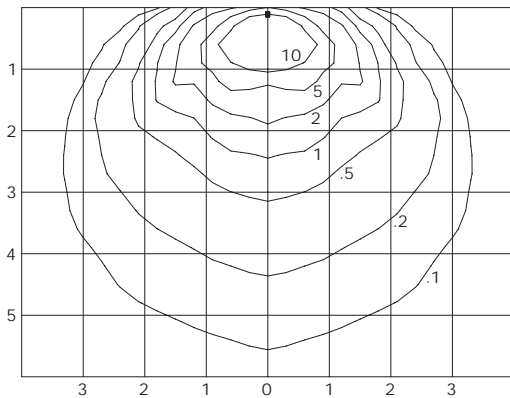
DIMENSIONS



WEIGHT = 10 lbs. (max.)

WL-43136

PHOTOMETRICS



UNITS SHOWN IN TERMS OF MOUNTING HEIGHT
INITIAL FOOTCANDELES SHOWN

CATALOG NUMBER: DRS100M
 TEST NUMBER: 25833
 LAMP: METAL HALIDE
 WATTAGE: 100
 LUMENS: 8,500
 TILT ANGLE: 45°
 MOUNTING HEIGHT: 10 FEET

LIGHT LEVEL MULTIPLYING FACTORS	
MOUNTING HEIGHT	MULTIPLIER
20'	0.25
15'	0.44
12'	0.69
10'	1.00
8'	1.56

ADDITIONAL TEST NUMBERS

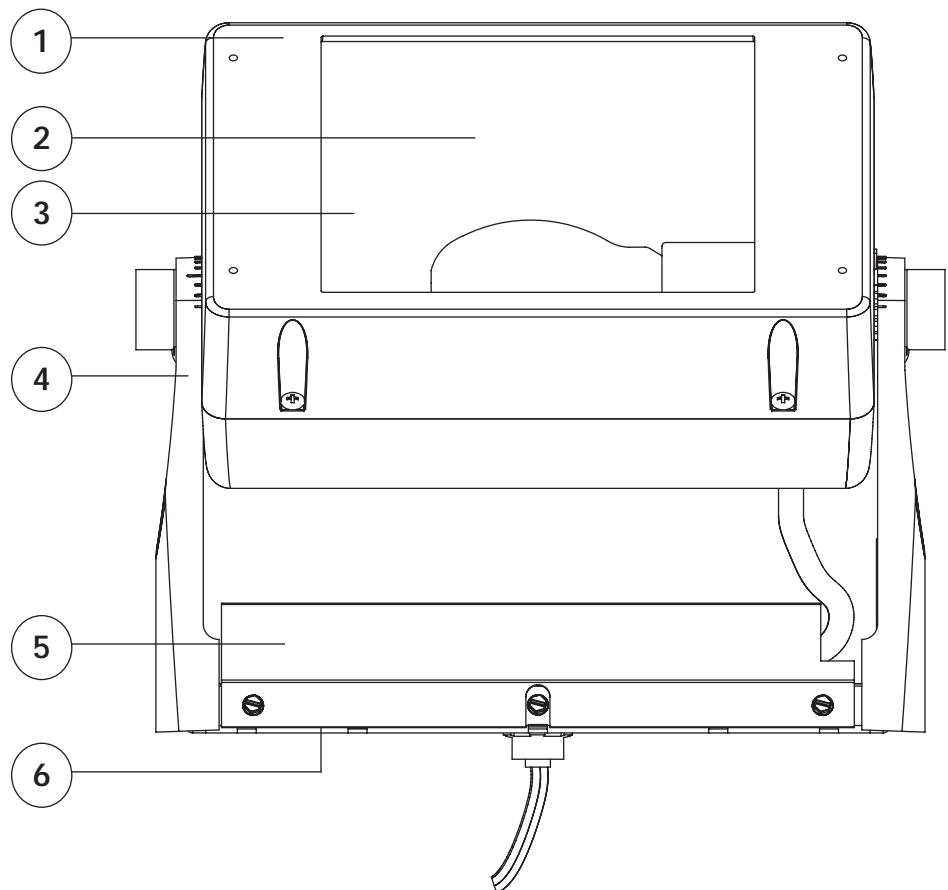
DESCRIPTION/CATALOG NUMBER	TEST NUMBER
DRS035S	25831
DRS050S	25831P
DRS070S	25832P
DRS100S	25832
DRS150S	25830
DRS050M	25834
DRS070M	25834P
DRS100M	25833
DRS150M	25833P
DRS175M	258332

PRODUCT FEATURES

UL1598 Listed for wet location and 40°C ambient for all lamp wattages listed.

1. Fully adjustable die cast aluminum optical assembly with polyester powder finish.
2. Formed specular aluminum reflector.
3. Clear tempered glass lens.
4. Heavy duty die cast aluminum mounting arms with polyester powder finish.
5. Light weight cover plate with polyester powder finish.
6. Light weight wall mounting plate attaches easily to the ceiling, wall or junction box.

The Extreme Environment Option provides a zinc rich epoxy primer coating and acrylic powder coating for extreme corrosion resistance. All mounting brackets and exposed hardware are stainless steel.



Visit our web site at www.daybritelighting.com

776 South Green Street Tupelo, MS 38804 Phone: 662-842-7212 Fax: 662-841-5501

189 Bullock Drive Markham, Ontario Canada L3P 1W4 Phone: 905-294-9570 Fax: 905-294-8911
 Day-Brite Lighting reserves the right to make changes without notice. ©October 2006. DB.1006

WL-43136

 **Day-Brite® Lighting**
 a Genlyte company