

# NITE BRITES

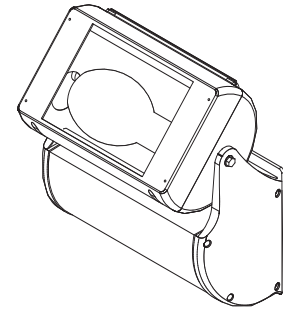
JOB NAME \_\_\_\_\_

TYPE \_\_\_\_\_

## DNM - MEDIUM DIRECT/INDIRECT WALL LIGHT

100-250 watt Metal Halide  
70-250 watt High Pressure Sodium  
125-320 watt Pulse Start Metal Halide

The Medium Direct/Indirect Wall Light is a new approach to lighting areas where traditional wall lights have been used. Use for exterior or interior applications such as building facades, parking areas, archways, canopies, ceilings, and atriums.



### ORDERING MATRIX

SAMPLE CATALOG NUMBER: DNM175MMT-NP-LP

<b>DNM</b>				-		-	
<b>FAMILY</b> DNM	<b>LAMP SOURCE</b> M - Metal Halide S - High Pressure Sodium P - Pulse Start Metal Halide (Ballast Option must also be specified)		<b>PAINT COLORS</b> Blank - Dark Bronze Textured WT - White Textured BK - Black Textured NP - Natural Aluminum Textured GY - Gray Textured				
	<b>WATTAGE</b>		<b>VOLTAGE</b>		<b>OPTIONS (add as suffix)</b>		
	070 - 70 <sup>2</sup>		12 - 120		CUL - UL Listing to meet CSA standards		
	100 - 100		20 - 208		LP - Lamp with fixture		
	125 - 125 <sup>30</sup>		24 - 240		PSC - Pulse Start CWA Ballast		
	150 - 150		27 - 277		Q - Quartz Standby <sup>39</sup>		
	175 - 175 <sup>1</sup>		34 - 347		QEM - Quartz Emergency <sup>40</sup>		
	200 - 200 <sup>30</sup>		48 - 480 <sup>32</sup>		QTD - Quartz Time Delay <sup>39</sup>		
	250 - 250		DT - 120/277		WDF - Wired Double Fuse <sup>45</sup>		
	300 - 300 <sup>30</sup>		MT - 120/208		WSF - Wired Single Fuse <sup>46</sup>		
	320 - 320 <sup>15,30</sup>		240/277		XTR - Extreme Environment		
			TT - 120/277/347				

**Footnotes:**

- <sup>1</sup>Metal Halide only.
- <sup>2</sup>High Pressure Sodium only.
- <sup>15</sup>Requires ED-28 size lamp.
- <sup>30</sup>Pulse Start Metal Halide only.
- <sup>32</sup>Not available in 70 watt Metal Halide.
- <sup>39</sup>Pre-wired by factory.
- <sup>40</sup>Requires 120 volt secondary power supply.
- <sup>45</sup>Use with 208, 240 and 480 volt.
- <sup>46</sup>Use with 120, 277 and 347 volt.

**General Notes:**

All options are factory installed.  
Mogul Base lamp only.  
All accessories are field installed.

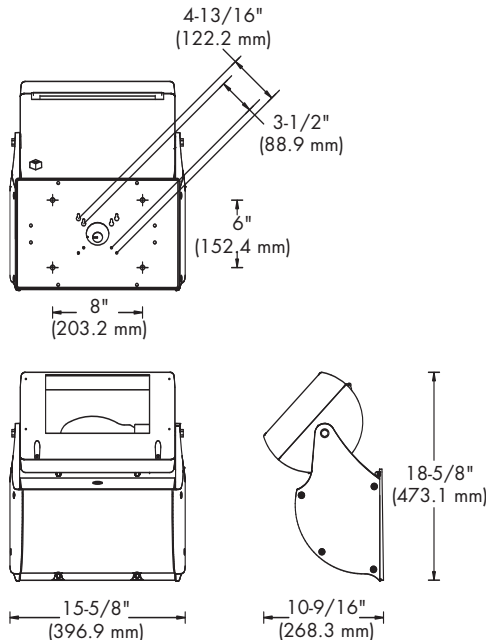
**Warning:** Refer to and follow the lamp manufacturer's warnings and instructions.

**ACCESSORIES (order separately)**

- FDF - Double Fuse Holder only
- FSF - Single Fuse Holder only
- GCDNM - Glare Guard
- VSDNM - Vandal Shield
- WGDNM - Wire Guard
- VDNM - Visor

(For additional descriptions of Wall Light accessories refer to sheet number OA-50030.)

### DIMENSIONS



### ENERGY DATA

**HIGH PRESSURE SODIUM**

HX BALLAST INPUT WATTS	
70 watt	~91 watts
100 watt	~130 watts
150 watt	~188 watts

**CWA BALLAST INPUT WATTS**

70 watt	~91 watts
---------	-----------

**METAL HALIDE**

HX BALLAST INPUT WATTS	
100 watt	~129 watts
150 watt	~189 watts

**CWA BALLAST INPUT WATTS**

175 watt	~210 watts
250 watt	~285 watts

**PULSE START METAL HALIDE**

HX BALLAST INPUT WATTS	
300 watt	~342 watts

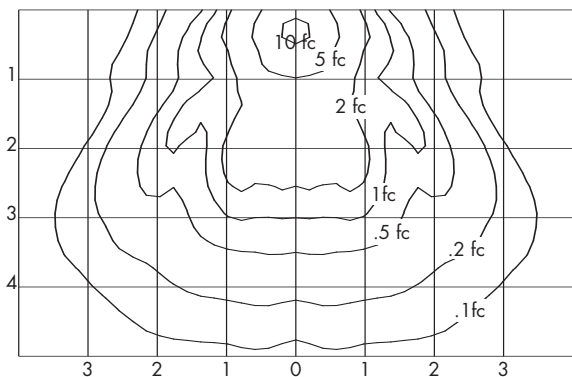
**CWA BALLAST INPUT WATTS**

125 watt	~150 watts
200 watt	~232 watts
250 watt	~288 watts
320 watt	~368 watts

**WEIGHT = 35 lbs. (max.)**

**WL-43140.1**

## PHOTOMETRICS



UNITS SHOWN IN TERMS OF MOUNTING HEIGHT  
INITIAL FOOTCANDLES SHOWN

CATALOG NUMBER: DNM175M  
 TEST NUMBER: 23918P  
 LAMP: METAL HALIDE  
 WATTAGE: 175  
 LUMENS: 14,000  
 TILT ANGLE: 45°  
 MOUNTING HEIGHT: 15 FEET

LIGHT LEVEL MULTIPLYING FACTORS	
MOUNTING HEIGHT	MULTIPLIER
25'	0.36
20'	0.56
15'	1.00
12'	1.56
10'	2.25
8'	3.52

### ADDITIONAL TEST NUMBERS

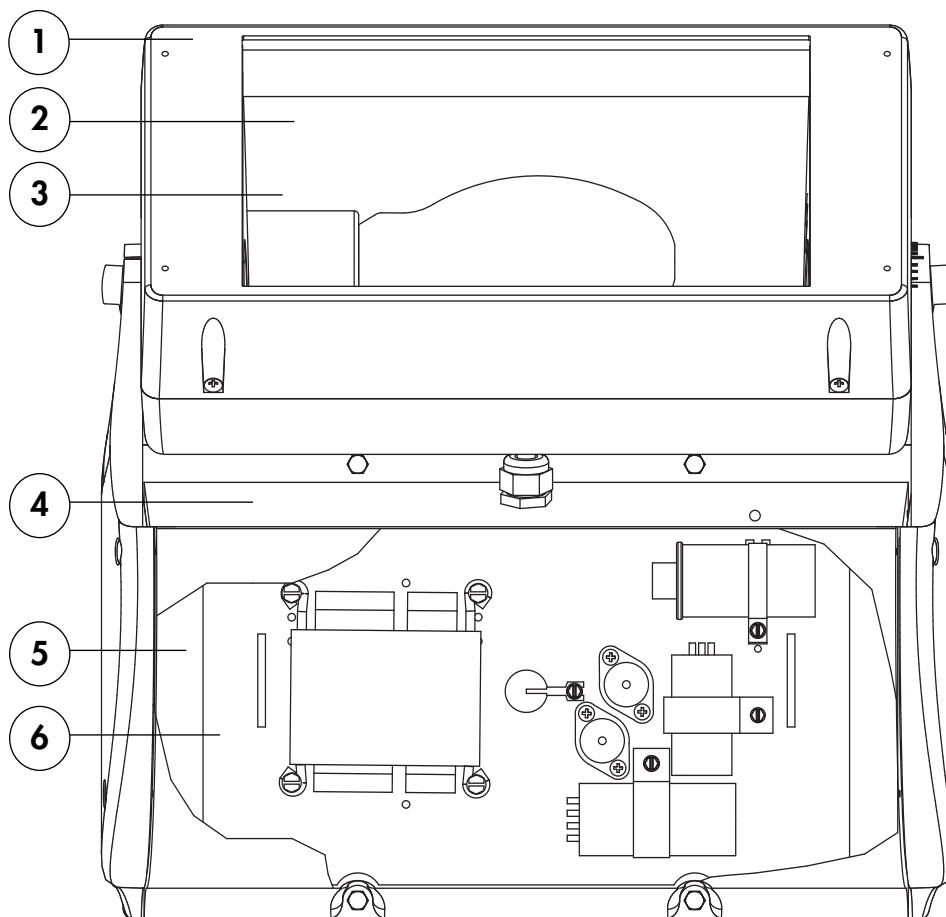
DESCRIPTION/CATALOG NUMBER	TEST NUMBER
DNM250M	23918
DNM250S	23916

## PRODUCT FEATURES

UL1598 Listed for wet location and 40°C ambient for all lamp wattages listed.

1. Fully adjustable die cast aluminum optical assembly with polyester powder finish.
2. Formed specular aluminum reflector.
3. Clear tempered glass lens.
4. Heavy duty die cast aluminum ballast housing with polyester powder finish.
5. Light weight wall mounting plate with hanging brackets attaches easily to the wall or junction box.
6. Ballast tray assembly hangs from wall mounting plate during installation for easy wiring access.

The Extreme Environment Option provides a zinc rich epoxy primer coating and acrylic powder coating for extreme corrosion resistance. All mounting brackets and exposed hardware are stainless steel.



Visit our web site at [www.daybritelighting.com](http://www.daybritelighting.com)

776 South Green Street Tupelo, MS 38804 Phone: 662-842-7212 Fax: 662-841-5501

189 Bullock Drive Markham, Ontario Canada L3P 1W4 Phone: 905-294-9570 Fax: 905-294-8911  
 Day-Brite Lighting reserves the right to make changes without notice. ©May 2005. DB.5M0505

**WL-43140.1**

 **Day-Brite® Lighting**  
 a Genlyte company