

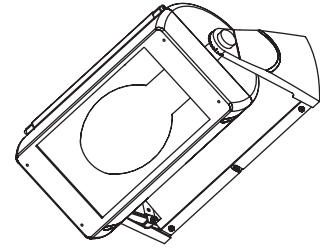
JOB NAME \_\_\_\_\_

TYPE \_\_\_\_\_

## DRM - MEDIUM REMOTE DIRECT/INDIRECT WALL LIGHT

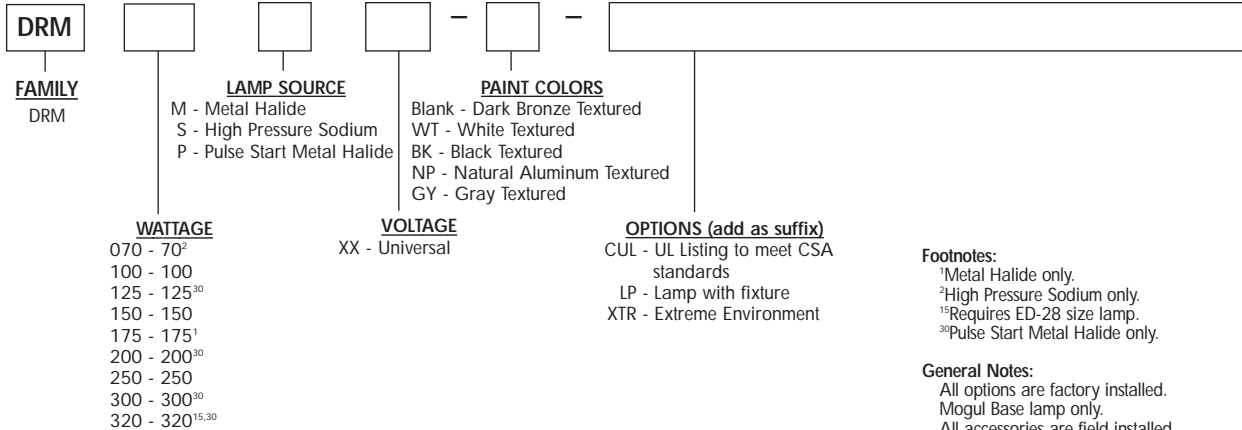
100-250 watt Metal Halide  
70-250 watt High Pressure Sodium  
125-320 watt Pulse Start Metal Halide

The Medium Remote Direct/Indirect Wall Light is a new approach to lighting areas where traditional wall lights have been used. Use for exterior or interior applications such as building facades, parking areas, archways, canopies, ceilings, and atriums.



### ORDERING MATRIX

SAMPLE CATALOG NUMBER: DRM175MXX-NP-LP



**Footnotes:**  
<sup>1</sup>Metal Halide only.  
<sup>2</sup>High Pressure Sodium only.  
<sup>15</sup>Requires ED-28 size lamp.  
<sup>30</sup>Pulse Start Metal Halide only.

**General Notes:**  
All options are factory installed.  
Mogul Base lamp only.  
All accessories are field installed.

**Warning:** Refer to and follow the lamp manufacturer's warnings and instructions.

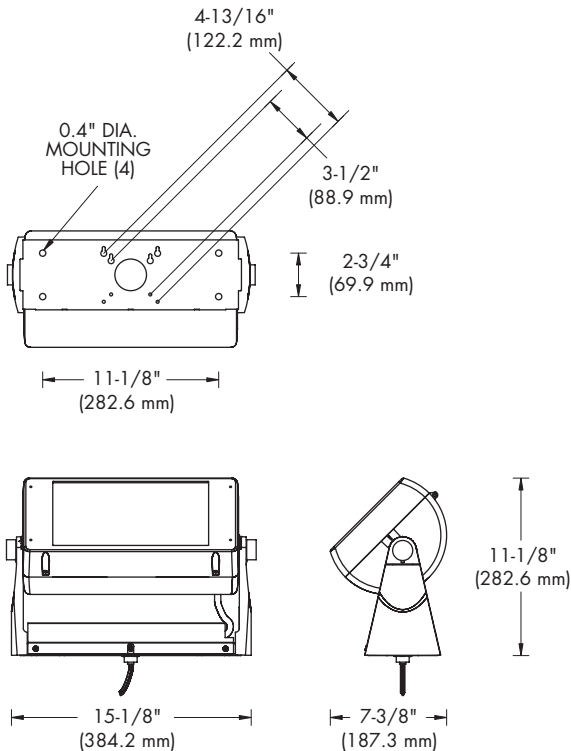
Remote transformer to be supplied by others.

### ACCESSORIES (order separately)

- GGDNM - Glare Guard
- VSDNM - Vandal Shield
- WGDNM - Wire Guard
- VDNM - Visor

(For additional descriptions of Wall Light accessories refer to sheet number OA-50030.)

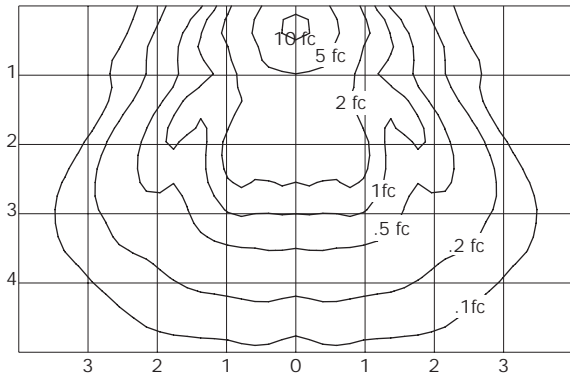
### DIMENSIONS



WEIGHT = 20 lbs. (max.)

WL-43141

## PHOTOMETRICS



UNITS SHOWN IN TERMS OF MOUNTING HEIGHT  
INITIAL FOOTCANDLES SHOWN

CATALOG NUMBER: DRM175M  
 TEST NUMBER: 23918P  
 LAMP: METAL HALIDE  
 WATTAGE: 175  
 LUMENS: 14,000  
 TILT ANGLE: 45°  
 MOUNTING HEIGHT: 15 FEET

LIGHT LEVEL MULTIPLYING FACTORS	
MOUNTING HEIGHT	MULTIPLIER
25'	0.36
20'	0.56
15'	1.00
12'	1.56
10'	2.25
8'	3.52

### ADDITIONAL TEST NUMBERS

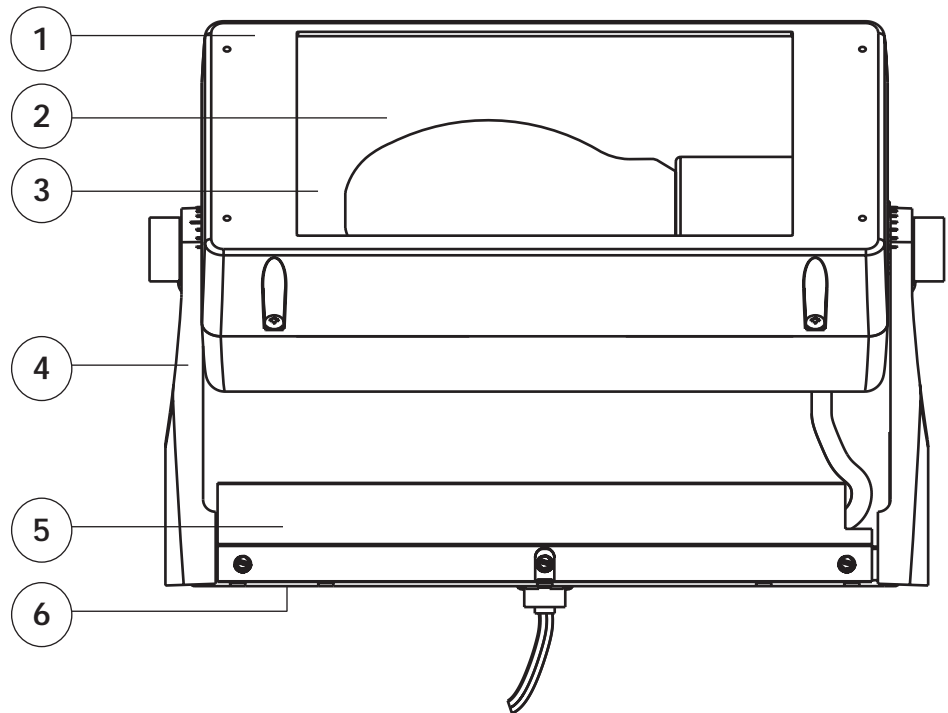
DESCRIPTION/CATALOG NUMBER	TEST NUMBER
DRM250M	23918
DRM250S	23916

## PRODUCT FEATURES

UL1598 Listed for wet location and 40°C ambient for all lamp wattages listed.

1. Fully adjustable die cast aluminum optical assembly with polyester powder finish.
2. Formed specular aluminum reflector.
3. Clear tempered glass lens.
4. Heavy duty die cast aluminum mounting arms with polyester powder finish.
5. Light weight cover plate with polyester powder finish.
6. Light weight wall mounting plate attaches easily to the ceiling, wall or junction box.

The Extreme Environment Option provides a zinc rich epoxy primer coating and acrylic powder coating for extreme corrosion resistance. All mounting brackets and exposed hardware are stainless steel.



Visit our web site at [www.daybritelighting.com](http://www.daybritelighting.com)

776 South Green Street Tupelo, MS 38804 Phone: 662-842-7212 Fax: 662-841-5501

189 Bullock Drive Markham, Ontario Canada L3P 1W4 Phone: 905-294-9570 Fax: 905-294-8911  
 Day-Brite Lighting reserves the right to make changes without notice. ©October 2006. DB1006

WL-43141

 **Day-Brite® Lighting**  
 a Genlyte company