

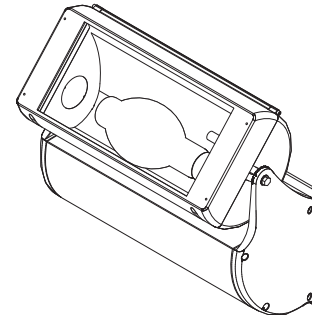
# NITE BRITES

JOB NAME \_\_\_\_\_  
 TYPE \_\_\_\_\_

## DNL - LARGE DIRECT/INDIRECT WALL LIGHT

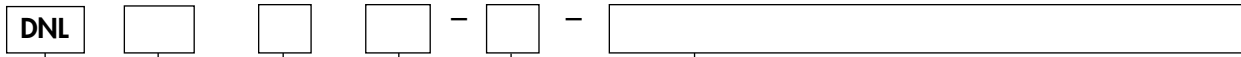
400-1000 watt Metal Halide  
 400-1000 watt High Pressure Sodium  
 300-1000 watt Pulse Start Metal Halide

The Large Direct/Indirect Wall Light is a new approach to lighting areas where traditional wall lights have been used. Use for exterior or interior applications such as building facades, parking areas, archways, canopies, ceilings, and atriums.



### ORDERING MATRIX

SAMPLE CATALOG NUMBER: DNL400MMT-NP-LP



**FAMILY**  
DNL

**LAMP SOURCE**  
 M - Metal Halide  
 S - High Pressure Sodium  
 P - Pulse Start Metal Halide  
 (Ballast Option must also be specified)

**PAINT COLORS**  
 Blank - Dark Bronze Textured  
 WT - White Textured  
 BK - Black Textured  
 NP - Natural Aluminum Textured  
 GY - Gray Textured

**WATTAGE**  
 300 - 300<sup>30</sup>  
 320 - 320<sup>30</sup>  
 350 - 350<sup>30</sup>  
 400 - 400  
 875 - 875<sup>30</sup>  
 10X - 1000<sup>34</sup>

**VOLTAGE**  
 12 - 120  
 20 - 208  
 24 - 240  
 27 - 277  
 34 - 347  
 48 - 480  
 MT - 120/208  
 240/277  
 TT - 120/277/347

**OPTIONS (add as suffix)**  
 CUL - UL Listing to meet CSA standards  
 LP - Lamp with fixture  
 PSC - Pulse Start CWA Ballast  
 Q - Quartz Standby<sup>39</sup>  
 QEM - Quartz Emergency<sup>40</sup>  
 QTD - Quartz Time Delay<sup>39</sup>  
 WDF - Wired Double Fuse<sup>45</sup>  
 WSF - Wired Single Fuse<sup>45</sup>  
 XTR - Extreme Environment

**Footnotes:**  
<sup>30</sup>Pulse Start Metal Halide only.  
<sup>39</sup>Pre-wired by factory.  
<sup>40</sup>Requires 120 volt secondary power supply.  
<sup>43</sup>Use with 208, 240 and 480 volt.  
<sup>44</sup>Use with 120, 277 and 347 volt.  
<sup>45</sup>Metal Halide lamp must be ED-37 or BT-37 reduced envelope.

**General Notes:**  
 All options are factory installed.  
 Magul Base lamp only.  
 All accessories are field installed.

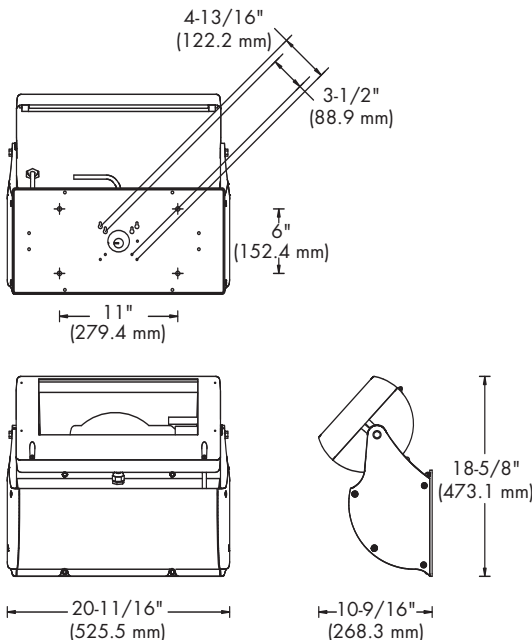
**Warning:** Refer to and follow the lamp manufacturer's warnings and instructions.

### ACCESSORIES (order separately)

- FDF - Double Fuse Holder only
- FSF - Single Fuse Holder only
- GGDNL - Glare Guard
- VSDNL - Vandal Shield
- WGDNL - Wire Guard
- VDNL - Visor

(For additional descriptions of Wall Light accessories refer to sheet number OA-50030.)

### DIMENSIONS



### ENERGY DATA

#### HIGH PRESSURE SODIUM

CWA BALLAST INPUT WATTS  
 400 watt-464 watts  
 1000 watt-1100 watts

#### METAL HALIDE

CWA BALLAST INPUT WATTS  
 250 watt-285 watts  
 400 watt-485 watts  
 1000 watt-1100 watts

#### PULSE START METAL HALIDE

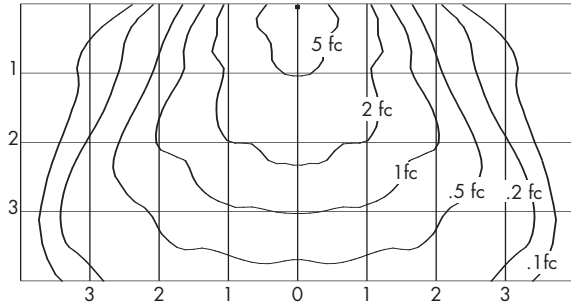
HX BALLAST INPUT WATTS  
 300 watt-342 watts

CWA BALLAST INPUT WATTS  
 320 watt-368 watts  
 350 watt-400 watts  
 400 watt-452 watts  
 875 watt-940 watts  
 1000 watt-1080 watts

WEIGHT = 65 lbs. (max.)

WL-43150.1

## PHOTOMETRICS



UNITS SHOWN IN TERMS OF MOUNTING HEIGHT  
INITIAL FOOTCANDLES SHOWN

CATALOG NUMBER: DNL400M  
 TEST NUMBER: 23898  
 LAMP: METAL HALIDE  
 WATTAGE: 400  
 LUMENS: 40,000  
 TILT ANGLE: 45°  
 MOUNTING HEIGHT: 25 FEET

LIGHT LEVEL MULTIPLYING FACTORS	
MOUNTING HEIGHT	MULTIPLIER
25'	0.36
20'	0.56
15'	1.00
12'	1.56
10'	2.25
8'	3.52

### ADDITIONAL TEST NUMBERS

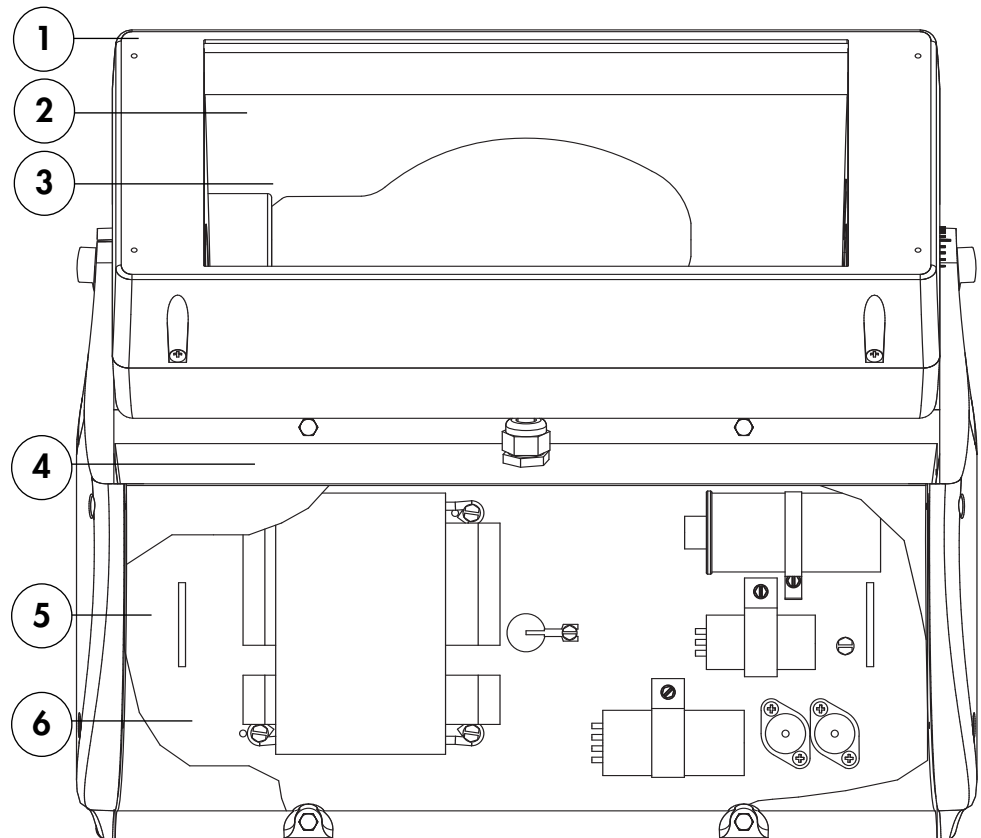
DESCRIPTION/CATALOG NUMBER	TEST NUMBER
DNL400M-VDNL	23901
DNL400M-GGDNL	23900
DNL400S	23905
DNL400S-VDNL	23903
DNL400S-GGDNL	23904
DNL10XM	23891
DNL10XM-VGDNL	23913
DNL10XM-GGDNL	23911

## PRODUCT FEATURES

UL1598 Listed for wet location and 40°C ambient for all lamp wattages listed.

1. Fully adjustable die cast aluminum optical assembly with polyester powder finish.
2. Formed specular aluminum reflector.
3. Clear tempered glass lens.
4. Heavy duty die cast aluminum ballast housing with polyester powder finish.
5. Light weight wall mounting plate with hanging brackets attaches easily to the wall or junction box.
6. Ballast tray assembly hangs from wall mounting plate during installation for easy wiring access.

The Extreme Environment Option provides a zinc rich epoxy primer coating and acrylic powder coating for extreme corrosion resistance. All mounting brackets and exposed hardware are stainless steel.



Visit our web site at [www.daybritelighting.com](http://www.daybritelighting.com)

776 South Green Street Tupelo, MS 38804 Phone: 662-842-7212 Fax: 662-841-5501

189 Bullock Drive Markham, Ontario Canada L3P 1W4 Phone: 905-294-9570 Fax: 905-294-8911  
 Day-Brite Lighting reserves the right to make changes without notice. ©MAY 2005. DB.5M0505

**WL-43150.1**

**Day-Brite® Lighting**  
 a Genlyte company