

**Specifier's Reference**

Project
Type
Model No.
Comments

**application**

- The WTL LED Large Full Cutoff Wall Light offers a sleek design and cutoff performance with a wide range of uses. It delivers the lighting needed for the exteriors of retail buildings, businesses, walkways, underpasses or entrance doors.

**construction/finish**

- Heavy duty die cast aluminum housing.
- Die cast aluminum door frame with tempered glass lens.
- Die cast aluminum heat sink designed for excellent thermal transfer to extend component life.
- Silicone gasketing provides protection against moisture.
- Quick mount wall plate mounts directly to 3-1/2" octagon or 4" square outlet box for easy installation.
- Polyester powder finish for impact, corrosion and UV resistance.
- Furnished with surge protector.
- Components are RoHS compliant.
- LED light engine and driver are field replaceable.

**electrical**

- Certified to meet UL 1598 standards for wet location and 25°C ambient.

**warranty**

- 5 Year Limited Warranty.

**Green Choice: WTL90WLU-MC3-AL**

<b>WTL</b>	<b>90W</b>	<b>L</b>	<b>-</b>	<b>-</b>	<b>-</b>	<b>-</b>	<b>-</b>
	<b>Wattage</b> 90W – 90W Neutral White (4100K)		<b>Voltage</b> 34 – 347V U – Universal 120-277 Volts 50Hz or 60Hz		<b>Paint Colors</b> Blank – Dark Bronze Textured WT – White Textured BK – Black Textured AL – Silver Aluminum Textured NP – Gray Aluminum Textured GY – Industrial Gray Textured (Consult factory for other colors)		<b>Lens</b> Blank – Clear Tempered Glass Lens FGS – Flat Solite Diffusing Tempered Glass Lens
<b>Family</b> WTL		<b>Lamp Source</b> L – LED		<b>Optics</b> SC2 – Wide Distribution MC3 – Medium Distribution FWT – Forward Throw			<b>Options</b> PCR – Photo Control Receptacle <sup>13</sup> MDO – Integral Motion Detector (120-277V)

**Accessories (Order Separately)**

- **PC-MT** – Photo Control Twist Lock, Multi-volt (must have PCR Option)
  - **PCR-SC** – PCR Shorting Cap
- (For additional descriptions of Wall Light accessories refer to Sheet number OA-50030.)

**General Notes:**

All options are factory installed.  
All accessories are field installed.  
Data subject to change without notice.

**Footnotes:**

<sup>13</sup>Order twist lock photo control separately.

**Predicted L<sub>70</sub> Lifetime:**

25°C Ambient->60,000 hours.  
40°C Ambient->60,000 hours (based upon LED manufacturer's supplied LM-80 data and in-situ laboratory testing).

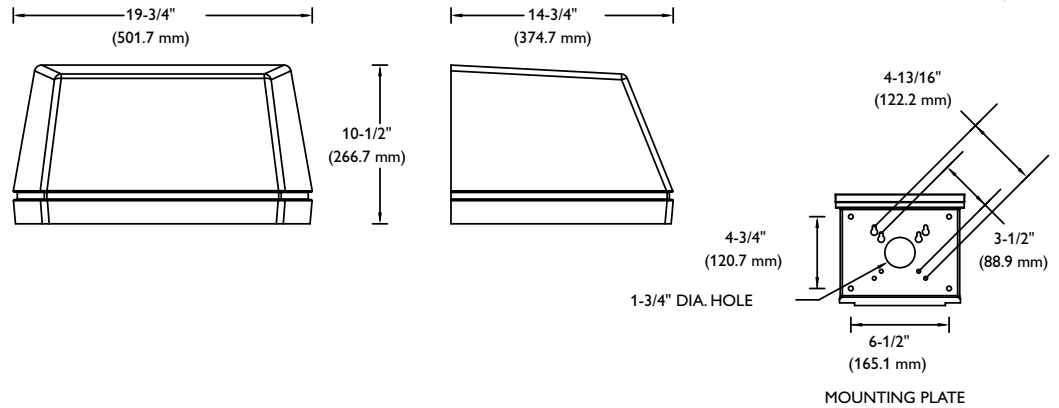
photometry

dimensions

Light Level Multiplying Factors

Mounting Height	Multiplier
40'	0.39
35'	0.51
30'	0.69
25'	1.00
20'	1.56
15'	2.77

Note: Photometric values based on tests performed in compliance with LM-79



<p><b>Catalog No.</b> WTL90WLU-SC2</p> <p><b>Test No.</b> 29280</p> <p><b>Lamp Type</b> LED</p> <p><b>Wattage</b> 103</p> <p><b>Lumens</b> 5200</p> <p><b>Tilt Angle</b> 0°</p> <p><b>Mounting Height</b> 25 Feet</p>	<p>Units shown in terms of mounting height Initial Footcandles Shown</p>	
<p><b>Catalog No.</b> WTL90WLU-MC3</p> <p><b>Test No.</b> 29324</p> <p><b>Lamp Type</b> LED</p> <p><b>Wattage</b> 103</p> <p><b>Lumens</b> 5039</p> <p><b>Tilt Angle</b> 0°</p> <p><b>Mounting Height</b> 25 Feet</p>	<p>Units shown in terms of mounting height Initial Footcandles Shown</p>	
<p><b>Catalog No.</b> WTL90WLU-FWT</p> <p><b>Test No.</b> 29325</p> <p><b>Lamp Type</b> LED</p> <p><b>Wattage</b> 102</p> <p><b>Lumens</b> 4801</p> <p><b>Tilt Angle</b> 0°</p> <p><b>Mounting Height</b> 25 Feet</p>	<p>Units shown in terms of mounting height Initial Footcandles Shown</p>	



©2011 Philips Day-Brite  
All rights reserved.

776 South Green Street • Tupelo, MS 38804  
p. 800.234.1890 • f. 662.841.5501 • www.daybrite.com  
Canadian Division  
189 Bullock Drive • Markham, Ontario L3P 1W4  
p. 905.294.9570 • f. 905.294.9811

Contact Factory for Additional Configurations.  
Specifications are subject to change without notice.  
Consult website for latest version of this spec sheet.



Some luminaires use fluorescent or high intensity discharge (HID) lamps that contain small amounts of mercury. Such lamps are labeled, "Contain Mercury" and/or the symbol "HG". Lamps that contain mercury must be disposed of in accordance with local requirements. Information regarding lamp recycling and disposal can be found at www.lamprecycle.org