

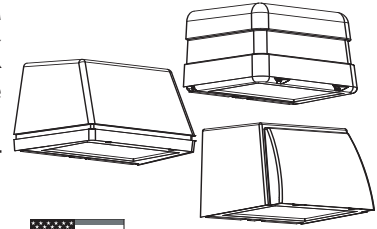
NITE BRITES

JOB NAME _____

TYPE _____

WTM/WRM/WBM-MEDIUM CUTOFF WALL PACK

50-150 watt Metal Halide
35-150 watt High Pressure Sodium
26-42 watt Compact Fluorescent



The Medium Full Cutoff Wall Pack offers a sleek design and cutoff performance with a wide range of uses. It delivers the lighting needed for the exteriors of retail buildings, businesses, walkways, underpasses or entrance doors.

ORDERING MATRIX

SAMPLE CATALOG NUMBER: WTM42CDU-FWT-LP

[]	[]	[]	[]	-	[]	-	[]	-	[]
FAMILY		LAMP SOURCE			OPTICS				OPTIONS (add as suffix)
WTM WRM WBM		C - Compact Fluor. Single Lamp D - Compact Fluor. Dual Lamp M - Metal Halide S - High Pressure Sodium			SC2 - Wide Distribution (not available with CFL) FWT - Forward Throw				LP - Lamp with fixture WDF - Wired Double Fuse ⁴⁵ WSF - Wired Single Fuse ⁴⁶ PE - Photo Control (not available in 480v) PCR - Photo Control Receptacle ¹³ Q - Quartz Standby ³⁹ QEM - Quartz Emergency ⁴⁰ QTD - Quartz Time Delay ³⁹ BDL940/E - Integral Emergency Ballast ⁷² (single 42W or dual 32W max.) B4CF1 - Integral Cold Temp Emergency Ballast ⁷² WEB - HID Electronic MH Ballast (100W max.)
	WATTAGE		VOLTAGE			PAINT COLORS			
	035 - 35 ²³ 050 - 50 070 - 70 100 - 100 150 - 150 26C - 26CFL ⁷² 32C - 32CFL ⁷² 42C - 42CFL ⁷²		12 - 120 20 - 208 24 - 240 27 - 277 48 - 480 MT - 120/208 240/277 U - Universal 120/277 volts 50Hz or 60Hz (CFL or Electronic HID) TT - 120/277/347		BLANK - Dark Bronze Textured WT - White Textured BK - Black Textured AL - Silver Alum. Textured NP - Grey Alum. Textured GY - Industrial Gray Textured (consult factory for other colors)				Footnotes: ¹³ Order Twist Lock Photo Control separately ²³ 120v High Pressure Sodium Only ³⁹ Prewired by factory ⁴⁰ Requires 120 volt secondary power supply ⁴⁵ Use with 208, 240, and 480 volt. ⁴⁶ Use with 120, 277, and 347 volt. ⁷² Compact fluorescent only

ACCESSORIES (order separately)

RDA-WTM - Replacement Door Assembly (WTM)
RDA-WRM - Replacement Door Assembly (WRM)
RDA-WBM - Replacement Door Assembly (WBM)
PC-MT - Photo Control Twist Lock, Multi-volt (must have PCR Option)

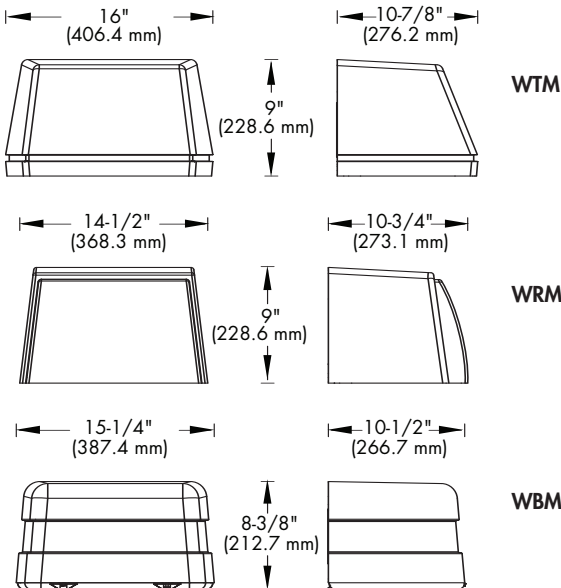
PC-48 - Photo Control Twist Lock, 480 volt (must have PCR Option)
PCR-SC - PCR Shorting Cap
(For additional descriptions of Wall Light accessories refer to sheet number OA-50030.)

General Notes:

All options are factory installed.
Medium Base lamp only for HID.
GX24q lamp base for compact fluorescent
All accessories are field installed.
Data subject to change without notice.

Warning: Refer to and follow the lamp manufacturer's warnings and instructions.

DIMENSIONS



ENERGY DATA

HIGH PRESSURE SODIUM

HX-HPF BALLAST INPUT WATTS

35 watt-46 watts
50 watt-66 watts
70 watt-91 watts
100 watt-130 watts
150 watt-188 watts

METAL HALIDE

HX-HPF BALLAST INPUT WATTS

50 watt-72 watts
70 watt-90 watts
100 watt-129 watts
150 watt-189 watts

COMPACT FLUORESCENT

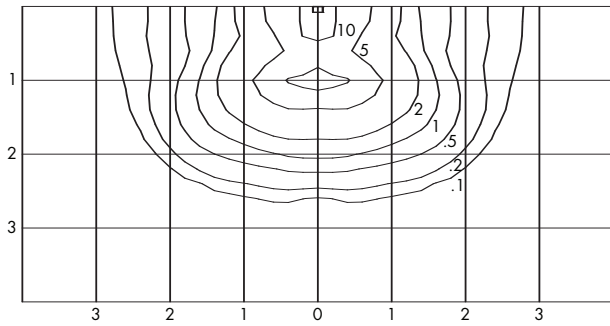
26 watt-29 watts
32 watt-36 watts
42 watt-46 watts
(2) 26 watt-55 watts
(2) 32 watt-68 watts
(2) 42 watt-93 watts

WEIGHT = 22 lbs. (max.)

WTM/WRM/WBM-MEDIUM FULL CUTOFF WALL PACK

WL-43170.2

PHOTOMETRICS



UNITS SHOWN IN TERMS OF MOUNTING HEIGHT
INITIAL FOOTCANDLES SHOWN

CATALOG NUMBER: WTM150M-FWT
 TEST NUMBER: 28625P
 LAMP: METAL HALIDE
 WATTAGE: 150
 LUMENS: 12,500
 TILT ANGLE: 0°
 MOUNTING HEIGHT: 15 FEET

LIGHT LEVEL MULTIPLYING FACTORS	
MOUNTING HEIGHT	MULTIPLIER
25'	0.36
20'	0.56
15'	1.00
12'	1.56
10'	2.25
8'	3.52

ADDITIONAL TEST NUMBERS

DESCRIPTION/CATALOG NUMBER	TEST NUMBER
WTM035S-FWT	28627
WTM050S-FWT	28627P
WTM070S-FWT	286271
WTM100S-FWT	28626P
WTM150S-FWT	28626
WTM050M-FWT	28624
WTM070M-FWT	28624P
WTM100M-FWT	28625
WTM42CC-FWT	28634
WTM42CD-FWT	28633

ADDITIONAL TEST NUMBERS

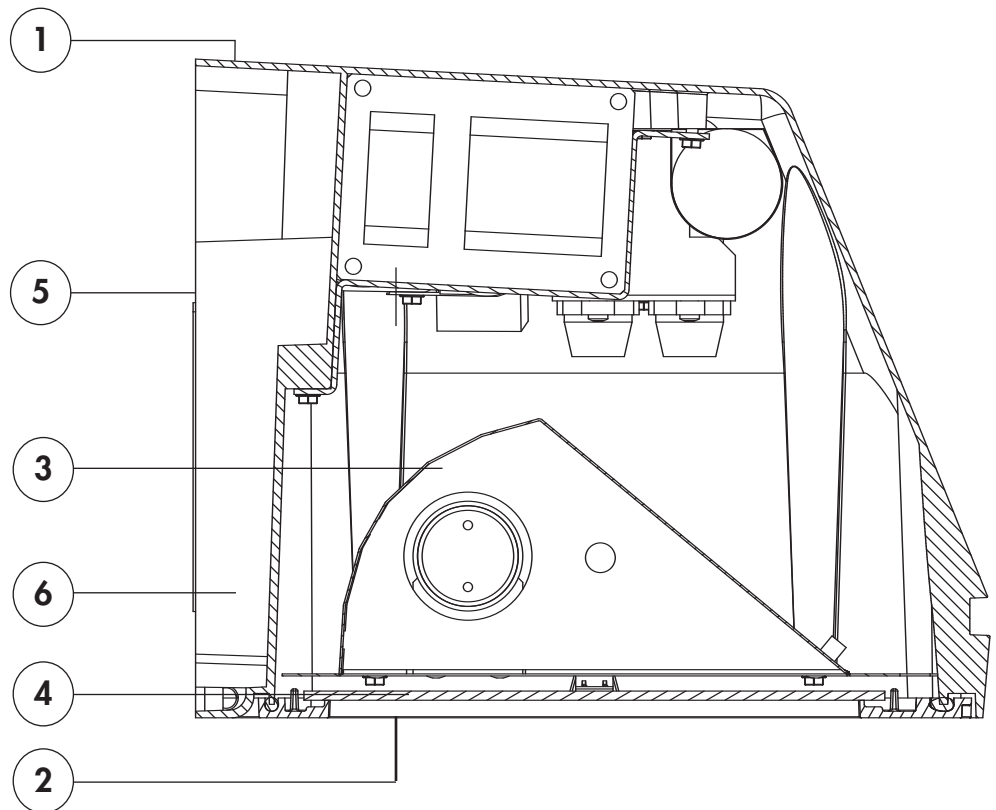
DESCRIPTION/CATALOG NUMBER	TEST NUMBER
WTM035S-SC2	28628
WTM050S-SC2	28628P
WTM070S-SC2	286281
WTM100S-SC2	28629P
WTM150S-SC2	28629
WTM050M-SC2	28631
WTM070M-SC2	28631P
WTM100M-SC2	28630
WTM150M-SC2	28630P

PRODUCT FEATURES

Certified to meet UL 1598 standards for wet location and 25°C ambient for all lamp wattages listed.

1. Heavy duty die cast aluminum housing.
2. Die cast aluminum door frame with clear tempered glass lens that is thermal and shock resistant.
3. Precision formed or segmented aluminum reflector.
4. Silicone gasketing provides protection against moisture.
5. Quick mount wall plate mounts directly to 3-1/2" octagon or 4" square outlet box for easy installation.
6. Polyester powder finish for impact, corrosion and UV resistance.

Five Year Limited Warranty.



WL-43170.2

DAY-BRITE LIGHTING • www.daybritelighting.com
 776 South Green Street • Tupelo, Mississippi 38804 • PH: (662) 842-7212 • FAX: (662) 841-5501
CANADIAN DIVISION
 189 Bullock Drive • Markham, Ontario L3P 1W4 • PH: (905) 294-9570 • FAX: (905) 294-9811
 ©JUNE 2010 All rights reserved.

PHILIPS
Day-Brite