

NITE BRITES

JOB NAME _____

TYPE _____

WCR-MEDIUM CUTOFF WALL PACK

50-175 watt Metal Halide
50-150 watt High Pressure Sodium
26-42 watt Compact Fluorescent

The WCR, with its low profile design and cutoff optics, is excellent for security, accent and perimeter lighting in areas such as building facades, entrance ways, garage doors, and tunnels.



ORDERING MATRIX

SAMPLE CATALOG NUMBER: WCR175MMT-LP

WCR	□	□	□	-	□
FAMILY WCR		LAMP SOURCE F - Compact Fluorescent M - Metal Halide S - High Pressure Sodium			OPTIONS (add as suffix) LP - Lamp with fixture WDF - Wired Double Fuse ⁴⁵ WSF - Wired Single Fuse ⁴⁶
	WATTAGE		VOLTAGE		
	26C - 26CFL ⁷² 32C - 32CFL ⁷² 42C - 42CFL ⁷² 050 - 50 ⁵ 070 - 70 100 - 100 150 - 150 175 - 175 ¹		12 - 120 20 - 208 24 - 240 27 - 277 MT - 120/208 240/277 U - Universal 108-305 volts 50Hz or 60Hz ⁷²		

Footnotes:

- ¹Metal Halide only.
- ²DT only.
- ⁴⁵Use with 208, 240, and 480 volt.
- ⁴⁶Use with 120, 277, and 347 volt.
- ⁷²Compact fluorescent only

General Notes:

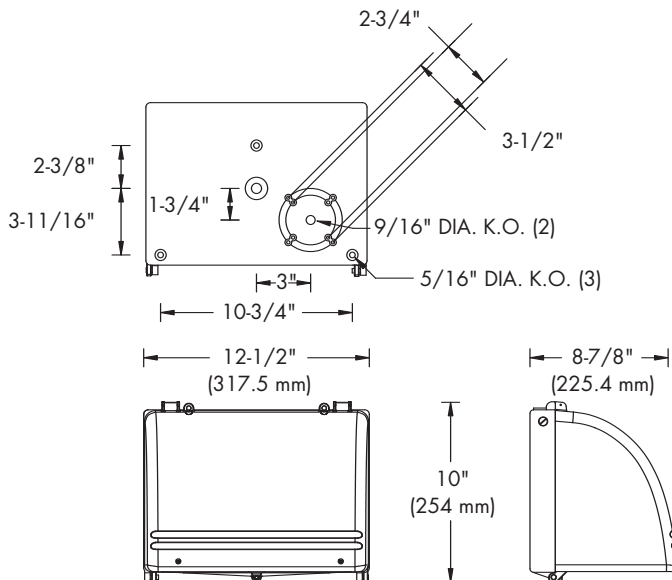
- All options are factory installed.
- Medium Base lamp only.
- GX24q lamp base for compact fluorescent
- All accessories are field installed.

Warning: Refer to and follow the lamp manufacturer's warnings and instructions.

ACCESSORIES (order separately)

- WGWCR - Wire Guard
 - RDA-WCR - Replacement Door Assembly
 - PEC-MT - Photo Control multi-volt
 - PEC-48 - Photo Control 480 volt
- (For additional descriptions of Wall Light accessories refer to sheet number OA-50030.)

DIMENSIONS



ENERGY DATA

HIGH PRESSURE SODIUM

HX-HPF BALLAST INPUT WATTS
50 watt-66 watts
70 watt-91 watts
100 watt-130 watts
150 watt-188 watts

METAL HALIDE

HX-HPF BALLAST INPUT WATTS
50 watt-72 watts
70 watt-90 watts
100 watt-129 watts
150 watt-189 watts

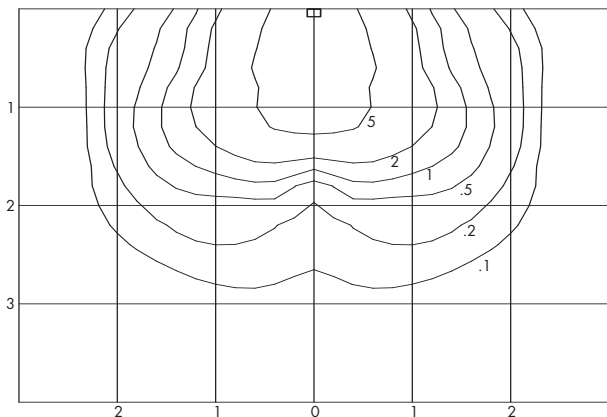
CWA BALLAST INPUT WATTS
175 watt-210 watts

COMPACT FLUORESCENT

26 watt-29 watts
32 watt-36 watts
42 watt-48 watts

WEIGHT = 23 lbs. (max.)

PHOTOMETRICS



UNITS SHOWN IN TERMS OF MOUNTING HEIGHT
INITIAL FOOTCANDLES SHOWN

CATALOG NUMBER: WCR175M
 TEST NUMBER: 248682
 LAMP: METAL HALIDE
 WATTAGE: 175
 LUMENS: 14,400
 TILT ANGLE: 0°
 MOUNTING HEIGHT: 15 FEET

LIGHT LEVEL MULTIPLYING FACTORS	
MOUNTING HEIGHT	MULTIPLIER
25'	0.36
20'	0.56
15'	1.00
12'	1.56
10'	2.25
8'	3.52

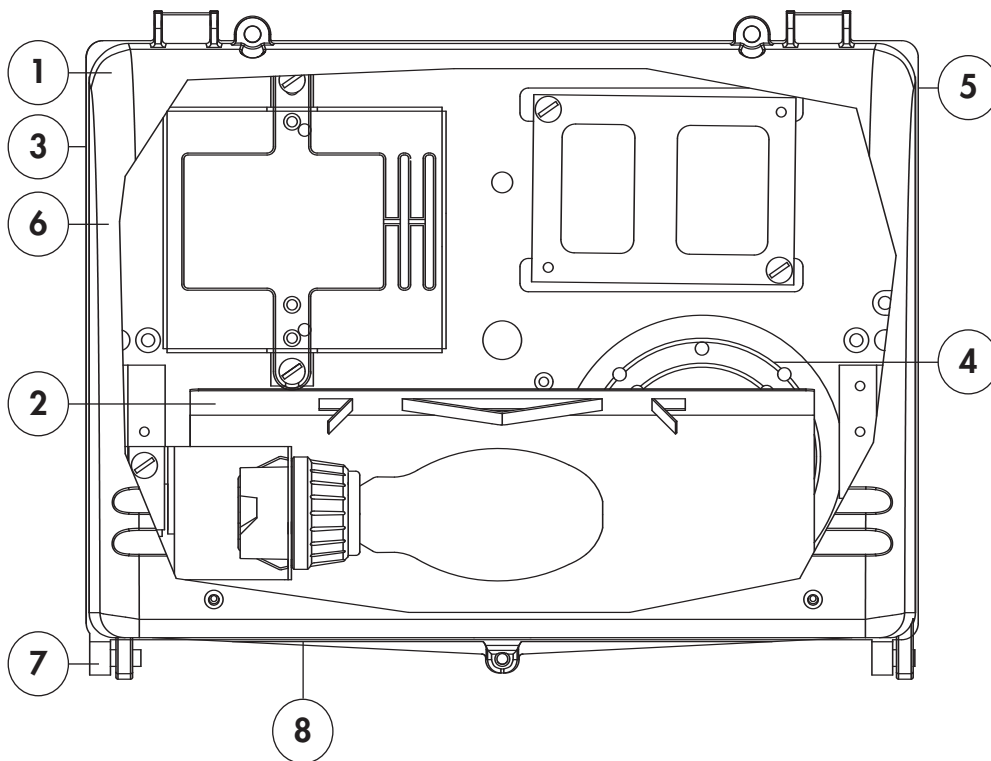
ADDITIONAL TEST NUMBERS

DESCRIPTION/CATALOG NUMBER	TEST NUMBER
WCR035S	24871
WCR050S	24871P
WCR070S	248712
WCR100S	24870P
WCR150S	24870
WCR050M	24869
WCR070M	24869P
WCR100M	24868
WCR150M	24868P

PRODUCT FEATURES

UL 1598 Listed wet location, 25°C ambient, and feed-through wiring for all lamp wattages listed.

1. Heavy duty two piece, die cast aluminum housing.
2. Specular anodized aluminum reflector.
3. Silicone gasketing provides protection against moisture.
4. Mounts directly to 3-1/2" octagon or 4" square outlet box.
5. 1/2" NPS tapped holes provided in three locations for surface conduit entry or optional photo control.
6. Dark bronze polyester powder finish for impact, corrosion and UV resistance.
7. Integral cast-in aluminum hinges.
8. Clear tempered glass lens is thermal and shock resistant.



Visit our web site at www.daybritelighting.com

776 South Green Street Tupelo, MS 38804 Phone: 662-842-7212 Fax: 662-841-5501

WL-43180.2

189 Bullock Drive Markham, Ontario Canada L3P 1W4 Phone: 905-294-9570 Fax: 905-294-8911
 Day-Brite Lighting reserves the right to make changes without notice. ©October 2007. DL.5M1007

 **Day-Brite® Lighting**
 a Genlyte company