

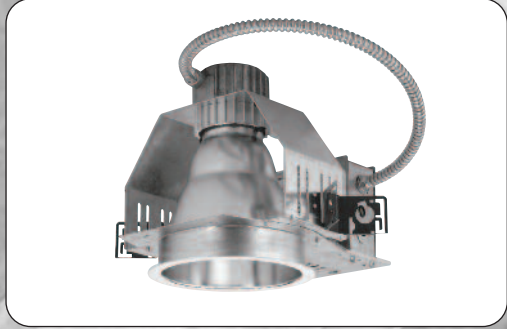
# S6100MHED17P

## 6" Open Vertical Reflector Downlights

**CAT. NO:**

**TYPE:**

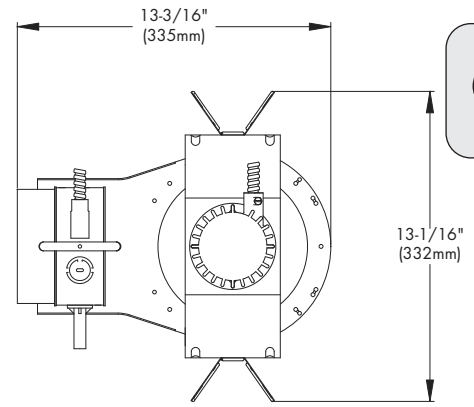
**PROJECT:**



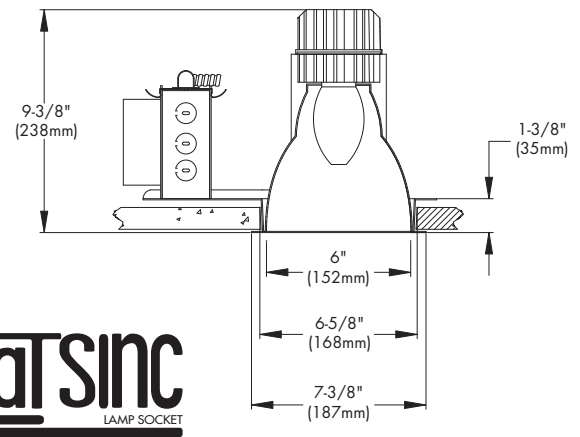
**APPLICATIONS**

A small aperture open reflector downlight for use with efficient metal halide lamps. Provides uniform light distribution for general illumination of areas with lower ceilings in lobbies, reception areas, schools, transportation terminals, bands, malls and offices.

- Ballast** - Enclosed, High Power Factor, with <15% THD electronic ballast with internal ignitor, thermally protected. Ballast requires a minimum starting temperature of 5°F. Universal voltage for 50/60HZ with "A" sound rating.
- Mounting pan** - Precision die-stamped 16 guage galvanized steel mounting pan and yoke assembly. Accommodates ceiling materials up to 1-3/8" thick.
- Installation** - Mounting pan has pre-installed universal mounting brackets with vertical adjustment. Junction box and mounting brackets are accessible from below ceiling. For 24" C-channel hanger bars, specify Q1032 accessory, ordered separately. For 27" flat bar hangers, specify Q1031 accessory, ordered separately.
- Reflector** - Precision spun .050 aluminum one piece reflector, self flanged with clear specular low iridescent finish. Reflector is screw mounted for positive attachment to socket assembly. Wall Wash reflector features a kicker for even illumination and 360° rotation for horizontal alignment. Standard flat flange is painted white. Optional polished flange matching reflector finish available, add FF to catalog number.
- Baffle** - Precision machined .051 aluminum with deep grooves to minimize aperture glare, matte black or matte white finish. Standard flat flange is painted white. Optional black flange available, add FF to catalog number.
- Socket** - Medium base 4 K.V. pulse rated porcelain socket with nickel plated copper screw shell and 200° C wire.
- Junction box** - Large 32-cubic inch 16 gauge galvanized steel with snap-on covers. Approved for through wiring with up to 8 #12 AWG conductors.
- Thermal protection** - A thermal protection device which meets all U.L. and NEC requirements is standard.
- U.L. Listed** - For use in damp locations and approved for Through Branch Circuit Wiring I.B.E.W union made.



**6**



**CATALOG SYSTEM AND OPTIONS**

EXAMPLE OF COMPLETE CATALOG NUMBER: **S6100MHED17PEU-T6PMHCS**

Spex Aperture	Lamp <sup>2</sup> (by others)	Frame Options	Supply Voltage	Reflector Series/Size	Type	Reflector Options	Reflector Finishes <sup>1</sup>
S6	100MHED17P 70MHED17P 50MHED17P	FZ120 Fuse120volt FZ277 Fuse277volt QEM Quartz Emergency QR Quartz Restrike	EU Electronic Universal Voltage 120 through 277 50 & 60 Hz	T6	PMH	BB Black Baffle WB White Baffle WW Wall Wash DWW Double Wall Wash CWW Corner Wall Wash	CS Clear Specular (low IR) CSS Clear Semi Specular HZ Haze PW Pewter WT Wheat FF Finish Flange (add as suffix to color)



1. Consult Factory for other reflector finishes.  
2. Protected lamps.

**OMEGA LIGHTING:**  
776 South Green St., Tupelo, MS 38804  
Phone 662.842.7212 FAX 662.841.5501

**CANADIAN DIVISION:**  
189 Bullock Drive, Markham, Ontario, Canada L3P 1W4  
Phone 905.294.9570 FAX 800.268.0003

**OMEGA**  
LIGHTING

## S6100MHED17P-CS

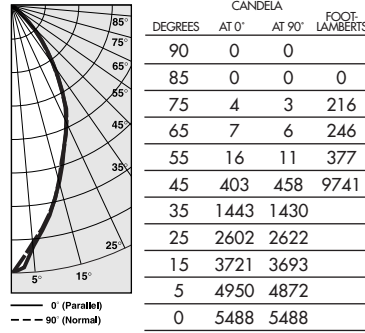
### Photometric Data

#### Clear Specular Reflector

Report Number: 20598A  
 Lamp: (1) 100WMH  
 Total Lumens: 8000  
 Fixture Efficiency: = 49.6%  
 IES File: F20598A.IES  
 S/MH Ratio = 0.7, 0.7  
 Beam Angle: 47.59

LIGHTING PERFORMANCE DATA		
CEILING HEIGHT* (FT.)	INITIAL FOOTCANDLES	BEAM DIAMETER (FT.-IN.)
8	181.4	4-10
10	97.6	6-7
12	60.8	8-5
14	41.5	10-2
16	30.1	11-11

### DISTRIBUTION CURVE



### COEFFICIENTS OF UTILIZATION ZONAL CAVITY METHOD

Effective Floor Cavity Reflectance 0.20

RC	80			70			50		
	50	30	50	30	50	30	50	30	
RW	0	58	58	57	57	55	55	55	
	1	55	54	54	53	52	51		
	2	51	48	50	47	48	46		
	3	47	45	46	45	46	44		
	4	44	41	44	40	42	40		
	5	40	39	40	38	40	38		
	6	39	35	38	35	38	34		
	7	36	34	35	33	35	33		
	8	34	30	34	30	34	30		
	9	32	28	32	28	32	28		
	10	30	28	29	28	29	27		

6

## S6100MHED17PBB-CS

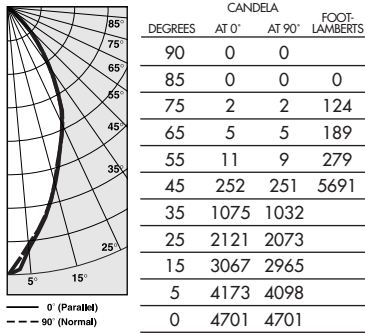
### Photometric Data

#### Clear Specular Reflector with Black Baffle

Report Number: 20597A  
 Lamp: (1) 100WMH  
 Total Lumens: 8000  
 Fixture Efficiency: = 38.3%  
 IES File: F20597A.IES  
 S/MH Ratio = 0.7, 0.6  
 Beam Angle: 43.85

LIGHTING PERFORMANCE DATA		
CEILING HEIGHT* (FT.)	INITIAL FOOTCANDLES	BEAM DIAMETER (FT.-IN.)
8	155.4	4-5
10	83.6	6-0
12	52.1	7-8
14	35.5	9-3
16	25.8	10-10

### DISTRIBUTION CURVE



### COEFFICIENTS OF UTILIZATION ZONAL CAVITY METHOD

Effective Floor Cavity Reflectance 0.20

RC	80			70			50		
	50	30	50	30	50	30	50	30	
RW	0	46	46	45	45	42	42		
	1	41	41	41	40	40	39		
	2	40	38	39	38	38	36		
	3	36	34	35	34	34	34		
	4	34	32	34	32	33	32		
	5	32	29	32	29	30	29		
	6	29	28	29	28	29	28		
	7	28	26	28	26	28	26		
	8	27	25	27	25	26	23		
	9	26	23	25	23	25	23		
	10	23	22	23	22	23	22		

## S670MHED17P-CS

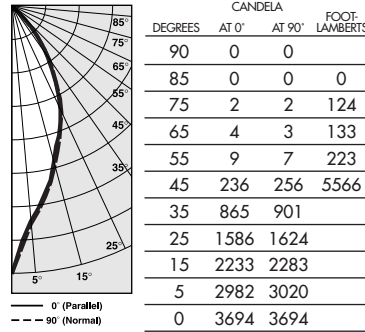
### Photometric Data

#### Clear Specular Reflector

Report Number: 20593A  
 Lamp: (1) 70WMH  
 Total Lumens: 4800  
 Fixture Efficiency: = 50.2%  
 IES File: F20593A.IES  
 S/MH Ratio = 0.6, 0.6  
 Beam Angle: 42.08

LIGHTING PERFORMANCE DATA		
CEILING HEIGHT* (FT.)	INITIAL FOOTCANDLES	BEAM DIAMETER (FT.-IN.)
8	122.1	4-3
10	65.7	5-9
12	40.9	7-4
14	27.9	8-10
16	20.3	10-5

### DISTRIBUTION CURVE



### COEFFICIENTS OF UTILIZATION ZONAL CAVITY METHOD

Effective Floor Cavity Reflectance 0.20

RC	80			70			50		
	50	30	50	30	50	30	50	30	
RW	0	59	59	57	57	56	56		
	1	56	54	54	53	52	52		
	2	52	50	51	48	48	47		
	3	47	46	46	45	46	44		
	4	45	41	44	41	42	40		
	5	41	39	41	39	40	38		
	6	39	35	39	35	38	35		
	7	36	34	36	34	35	34		
	8	34	32	34	32	34	30		
	9	33	29	33	29	32	29		
	10	30	28	30	28	29	28		