

# S101H150MHED17SPL

10" Splay Lens Reflector Horizontal Downlight

# SPEX

# SX3-13

REV. 08/07

**CAT. NO:**

**TYPE:**

**PROJECT:**

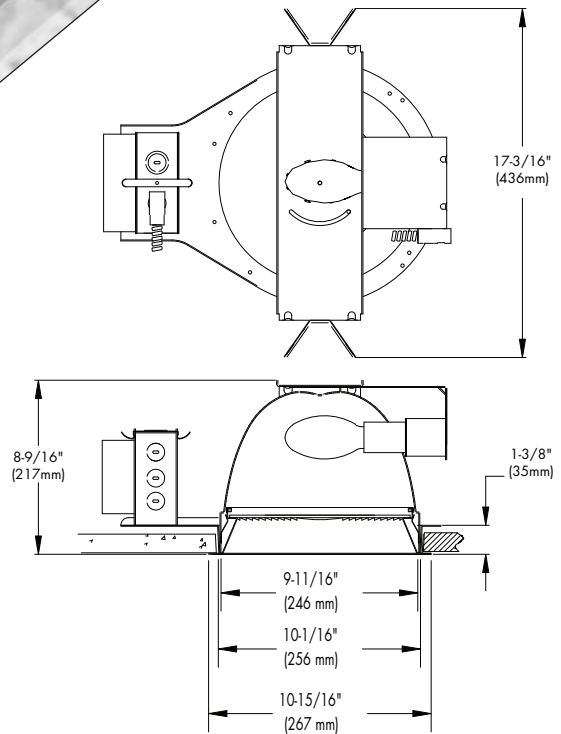


**APPLICATIONS**

A soft edged, lensed downlight for use with energy efficient metal halide lamps. Provides broad, uniform light distribution while concealing lamp image and maintaining good visual cutoff. Ideal for areas such as lobbies, corridors, canopies, soffits, restaurants and offices.

- Ballast** - Enclosed, High Power Factor, with <15% THD electronic ballast with internal ignitor, thermally protected. Ballast requires a minimum starting temperature of 5°F. Universal voltage for 50/60HZ with "A" sound rating.
- Mounting pan** - Precision die-stamped 20 gauge galvanized steel mounting pan and yoke assembly. Accommodates ceiling materials up to 1/2" thick.
- Installation** - Mounting pan has pre-installed universal mounting brackets with vertical adjustment. Junction box and mounting brackets are accessible from below ceiling. For 24" C-channel hanger bars, specify Q1032 accessory, ordered separately. For 27" flat bar hangers, specify Q1031 accessory, ordered separately.
- Splay trim** - Spun aluminum regressed splay trim with white powder paint finish. Torsion spring mounting for ease of installation. Flat fresnel and prismatic lens for smooth, even distribution of light. Flat clear tempered lens for enclosed application.
- Socket** - Medium base 4 K.V. pulse rated porcelain socket with nickel plated copper screw shell and 200° C wire.
- Junction box** - Large 32-cubic inch 16 gauge galvanized steel with snap-on covers. Approved for through wiring with up to 8 #12 AWG conductors.
- Thermal protection** - A thermal protection device which meets all U.L. and NEC requirements is standard.
- U.L. Listed** - For use in damp locations and approved for Through Branch Circuit Wiring I.B.E.W union made.

**10**



**CATALOG SYSTEM AND OPTIONS**

EXAMPLE OF COMPLETE CATALOG NUMBER: **S101H150MHED17E120-T101HMHSPCLC**

Spex Aperture	Lamp Position	Lamp (by others)	Supply Voltage <sup>1</sup>	Reflector Series/Size	Lamp Configuration	Type	Reflector Option	Lens Options (required)
S10	1H (1) Horizontal	150MHED17 100MHED17	EU Electronic Universal Voltage 120 through 277 50 & 60 Hz E120 120 volts E277 277 volts	T10	1H (1) Horizontal	MH	SPL Splay Lens (White) CSSPL Clear Specular Splay BBSPL Black Baffle Splay BKSPL Splay Lens (Black)	FL Fresnel Lens PL Prismatic Lens CL Clear Lens



<sup>1</sup>.Must specify voltage on 150 watt.

**OMEGA LIGHTING:**  
776 South Green St., Tupelo, MS 38804  
Phone 662.842.7212 FAX 662.841.5501

**CANADIAN DIVISION:**  
189 Bullock Drive, Markham, Ontario, Canada L3P 1W4  
Phone 905.294.9570 FAX 800.268.0003

**OMEGA**  
LIGHTING

Consult factory for photometrics.